

# WCOU24L



Product Family	Wine cooler
Installation	Built-in
Defrost	Automatic
Cooling type	Fan-assisted
Hinge type	Self-balancing
Hinge position	Left



## Wine compartment features



Number of removable shelves	12
Shelves material	Beech
Removable shelves on telescopic guide rails	Yes
Type of internal light	LED

## Functions



Control setting	Touch controls	Forced light on	Time-limited
Controls	Inside the cooler	Temperature Alarm	Yes
Display type	TFT	Door open alarm	Yes
Display functions	Holiday, Showroom mode, Sabbath mode, Temperature indication	Humidity level setting	Yes
Power-on indicator	Yes		

## Technical Features

Adjustable temperature zones	2	Number of compressors	1
Independent cooling systems	2	Compressor type	Standard
Number of door glasses	3	Refrigerant gas type	R600a
Temperature range	40-65°F	Refrigerant quantity	2.7 oz
		Metal back panel	Metal
		Adjustable feet	Yes

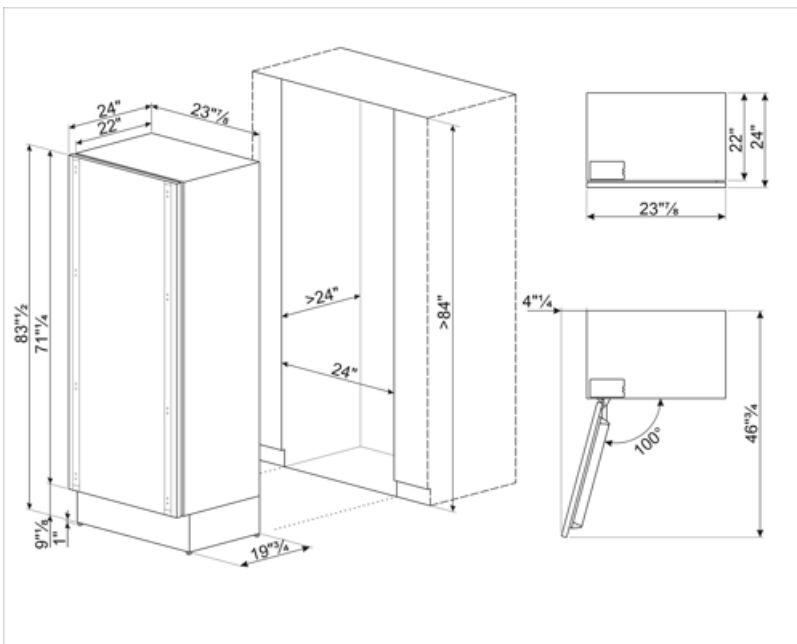
Temperature setting type	Electronic
Anti-UV door glass	Yes
Antibacterial Gasket	Yes

## Performance / Energy Label

Max Capacity (bottles 0,75lt)	78	Total net volume	93.0 gal
-------------------------------	----	------------------	----------

## Electrical Connection

Current	2,5 A	Power cord length	78 3/4 "
Voltage (V)	115 V	Plug	(B) NEMA 5-15P
Frequency (Hz)	60 Hz		



---

## Symbols glossary

---



The automatic defrost system works by automatically defrosting at regular intervals eliminating the need to defrost altogether.



Power saving mode: The power saving mode allows you to disable the refrigerator and keep the freezer working.



Touch controls: Easy to use touch controls allow the appliance to be programmed at the touch of a button.



Ventilated: Forced distribution of cold air in the refrigerator compartment, which allows even temperature distribution within the fridge.



LED interior lighting: is a more energy efficient and long lasting way of illuminating the interior of the appliance.