

WDTU130G

Product family	Drawer
Commercial height	26 cm
Type	Warming drawer



Aesthetic

Aesthetics	Linea	Glass	Stopsol
Color	Neptune Grey	Front panel	Full-glass
Finishing	Neptune Grey	Logo	Applied
Material	Glass	Logo position	Inside

Controls

Display	Yes	Type of temperature control	Electronic
Control setting type	Digi Touch		

Program / Functions

Proof	Yes
Defrost	Yes
Sabbath Mode	Yes
Keep warm	Yes
Dish warmer	Yes
Timer	Yes

Technical Features

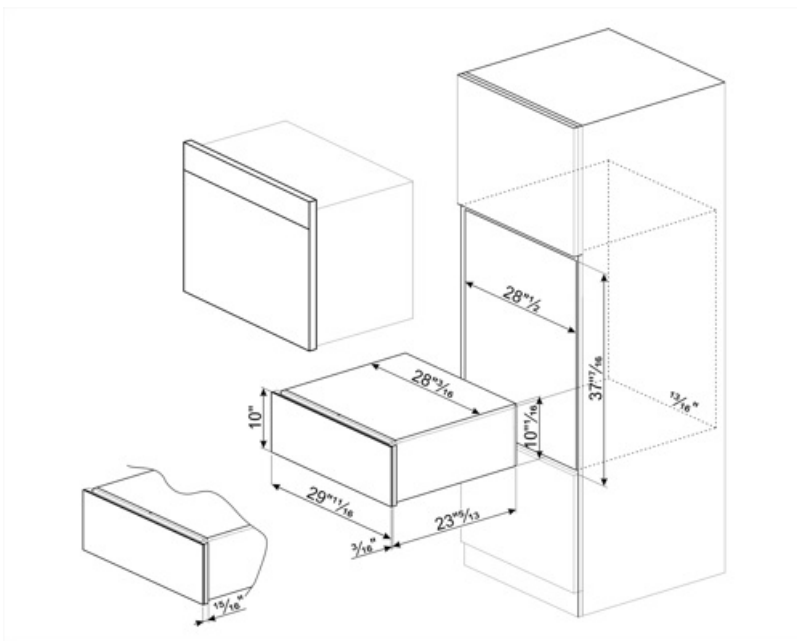
Opening mechanism	Push-pull	Capacity	56 l
Base material	Stainless steel	Type of heating	Fan-assisted
Max weight allowance	33 lbs	Included accessories	Rack, Silicone antislip mat
Maximum drawer loading weight	518 lbs		

Electrical Connection

Plug	(B) NEMA 5-15P	Voltage	115 V
Nominal power	800 W	Frequency (Hz)	60 Hz
Current	7 A		

Logistic Information

Width	28 3/8 "	Height	9 3/16 "
Depth	20 7/8 "		



Alternative products

WDTU330X

Color: Stainless steel

