








Energy Saving & Quick Chilling

1. Feature Descriptions

- 1.1 Energy Saving enables the compressor to run less time in certain circumstances to save energy by increasing the set-point.
- 1.2 Quick Chilling enables the compressor to run continuously without stopping for a period of preset time for pull-down cooling.

2. How to Set the Controller



- 1) Press and hold the **SET** +  keys until the “°C” or “°F” LED starts flashing, then release the keys.
- 2) Press and hold again the **SET** +  keys until the **Pr2** label is displayed, then release the keys. The first parameter **Hy** will be displayed.
- 3) Press up/down keys / to scroll to the required parameter within 10 sec.
- 4) Press the “**SET**” key to display its value.
- 5) Use up/down keys / to change its value within 10 sec.
- 6) Press “**SET**” to store the new value and the display will flash 3 times.
- 7) **To exit:** Press **SET** +  or wait 15sec without pressing a key.

PARAMETER	DESCRIPTION	VALUE
i1F	Enabling energy saving	ES
HES	Set-point increase during energy saving	4 °F
CCS	Set-point for quick chilling	50 °F
CCt	Compressor continuous running time for quick chilling	12 hours

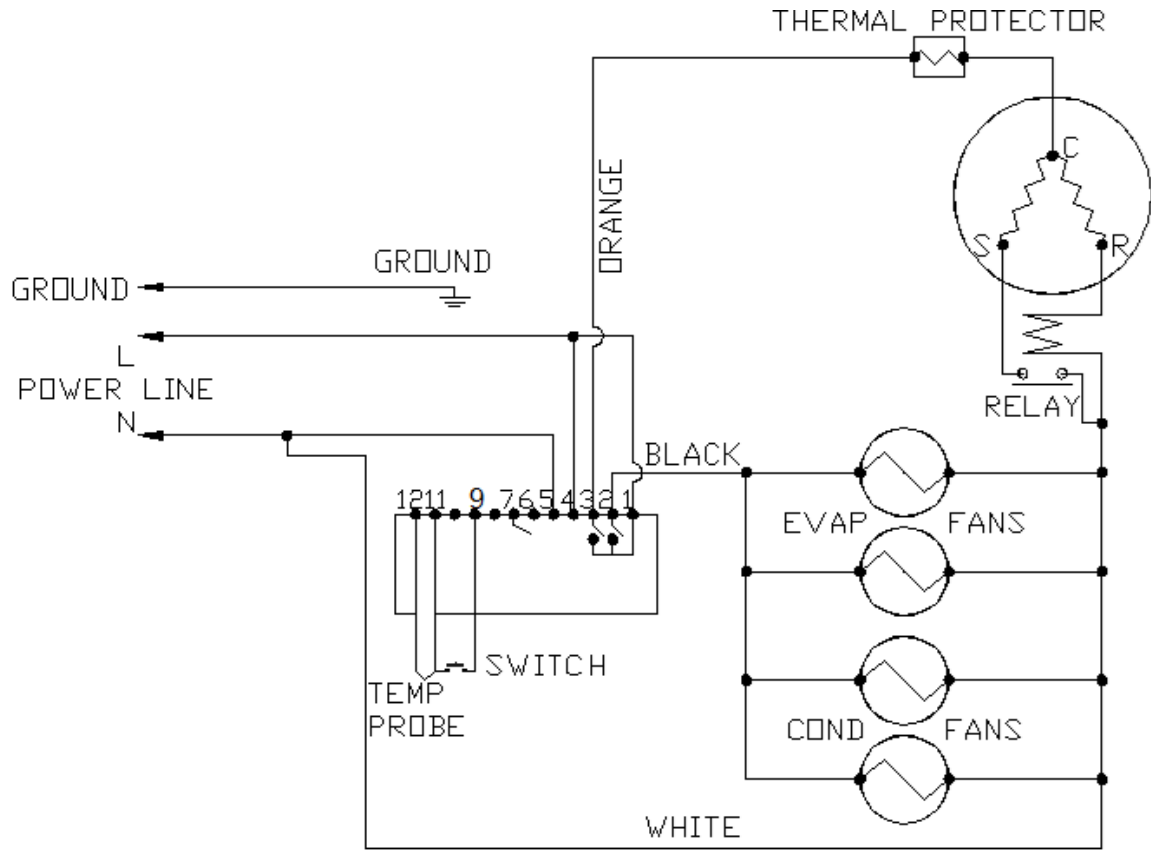
3. How to Activate Functions

- 1.1 To activate the Energy Saving turn on the switch.

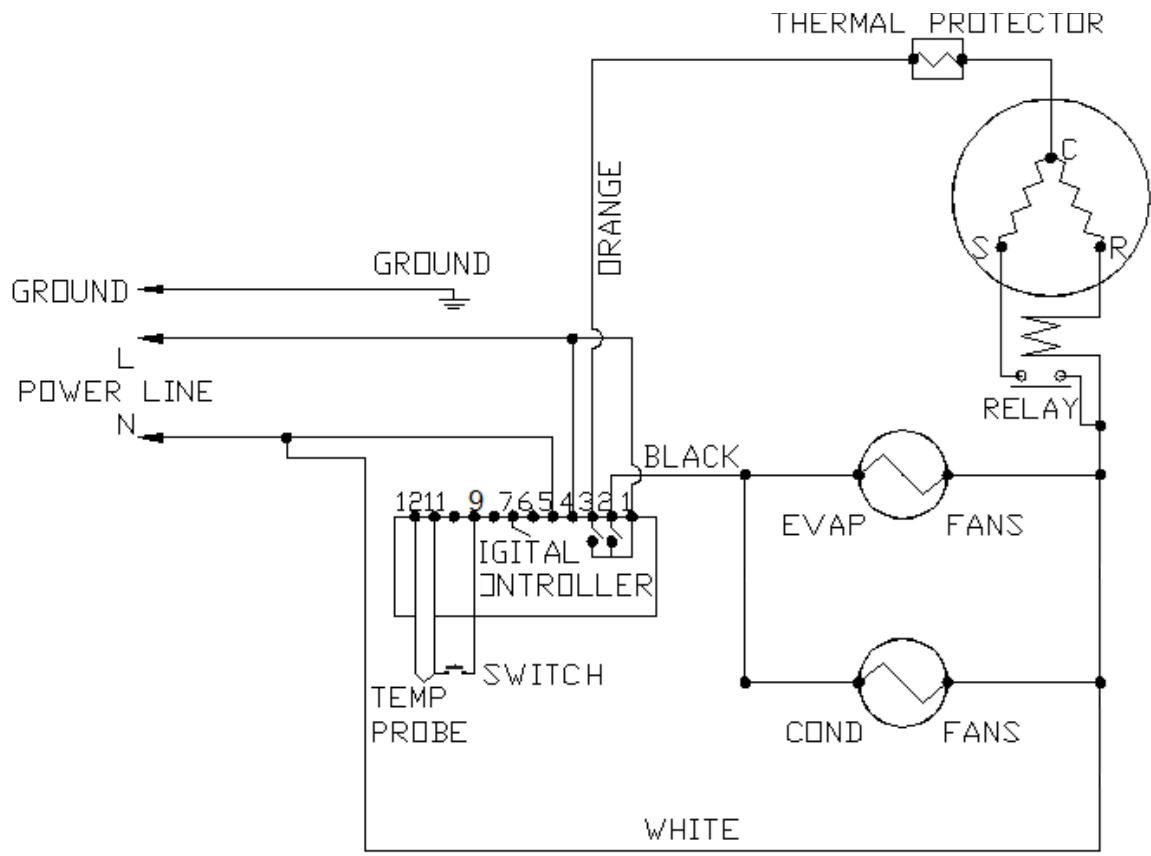


- 1.2 To activate Quick Chilling press and hold  for more than 3 seconds. To end Quick Chilling press and hold  for more than 3 seconds again.

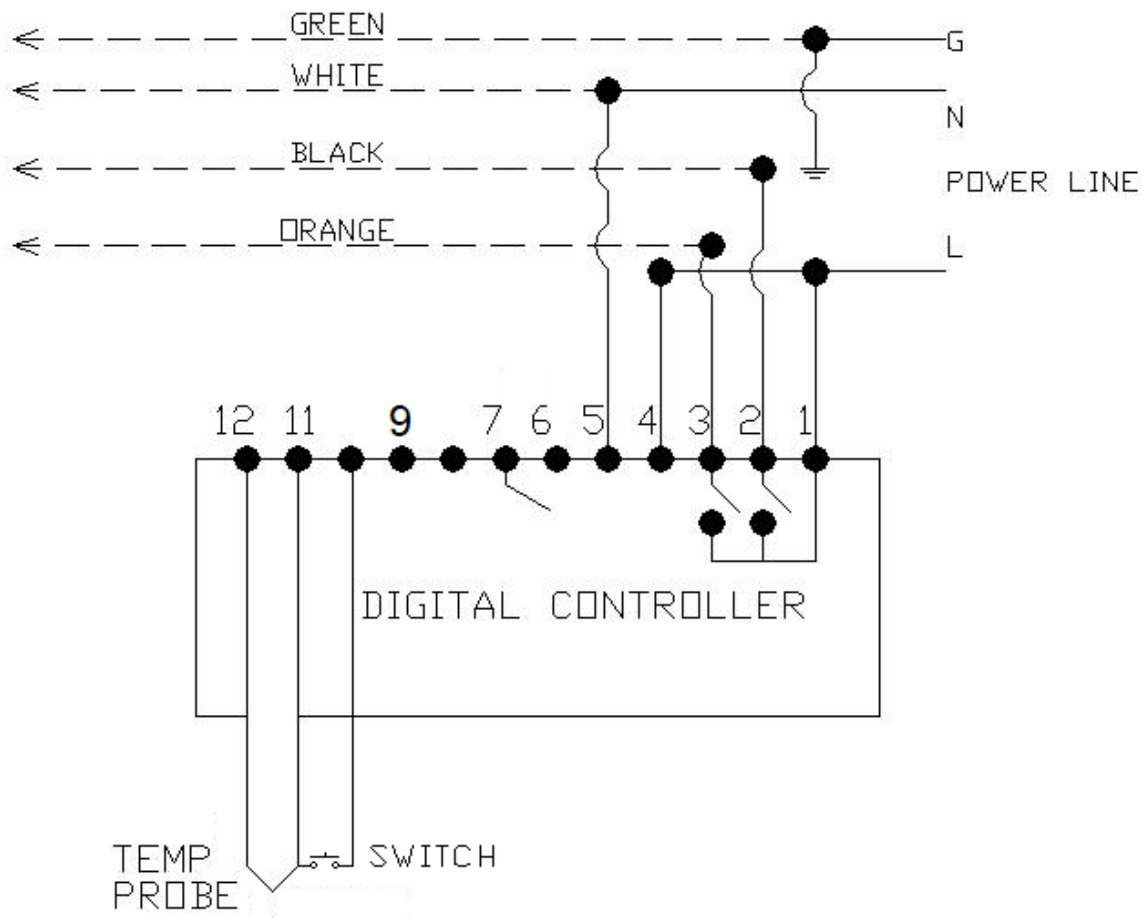
4. Wiring Diagrams



1500~2500 Self-contained Cooling System



3500~8500 Self-contained Cooling System



Split Cooling System