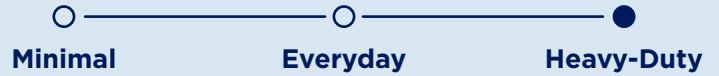




SUITABLE COOKING STYLE & FEATURES:



WM-590 CONTEMPORARY WALL MOUNT SIZES: 30"

PRODUCT DESCRIPTION



Some appliances were made to stand out — in a good way. This black stainless steel wall-mount canopy range hood is one of those. Forget the clunky, obtrusive range hoods of the past that only offered mediocre functionality. The WM-590 30" range hood was designed to complement your kitchen's aesthetic with its sleek finish and modern lines.

WHAT'S INCLUDED

Dishwasher-Safe Baffle Filters (2), Lower Chimney Cover (1), Upper Chimney Cover (1), Chimney Bracket (1), Stainless Steel Oil Tray (1), and Top 6" Round Exhaust Adapter (1)

OVERALL PRODUCT DIMENSIONS (WxDxH)

WM-590-30: 29-3/4" x 19-3/4" x 27" - 46"

WARRANTY

2-Year Limited Warranty and Lifetime Warranty on Motor



FEATURES & BENEFITS:

ODOR-FREE KITCHEN:

Sick of smelling last night's meal all over your house? This black stainless steel range hood sucks away toxic odors, fumes, and chemicals fast before they can linger.

SMUDGE-RESISTANT FINISH:

No need to worry about fingerprints and smudges leaving their mark on your range hood. The modern black stainless steel finish keeps things looking new and clean.

PERFECT FOR HIGH CEILINGS:

The black stainless range hood fits kitchens with up to 10 foot-ceilings with our extension kit (sold separately).

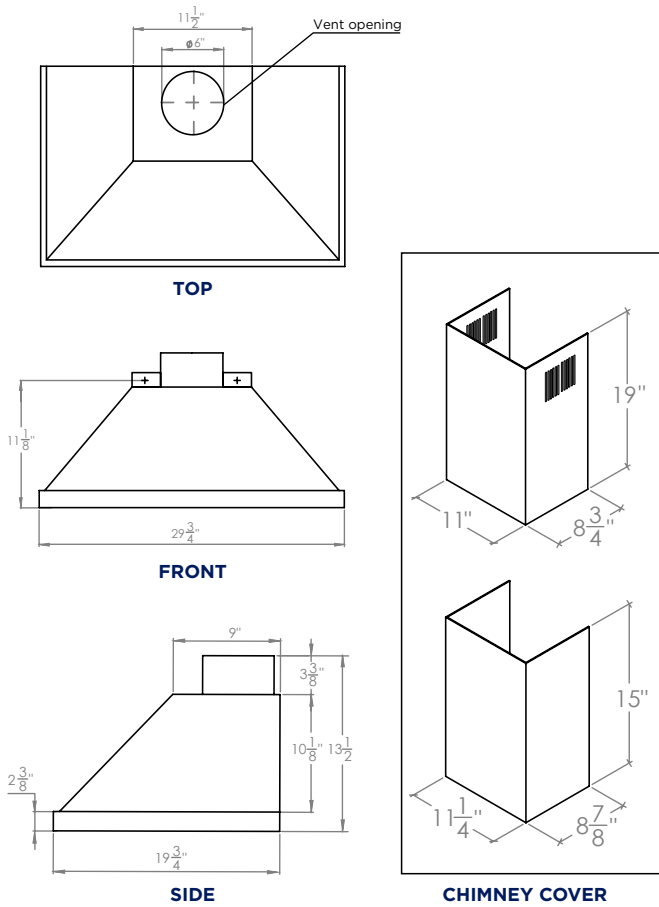
EASILY CONVERT TO DUCTLESS:

Fits 6" duct or convert to ductless with our effective charcoal filters (sold separately). These filters trap grease particles from fumes and deodorize cooking smells.

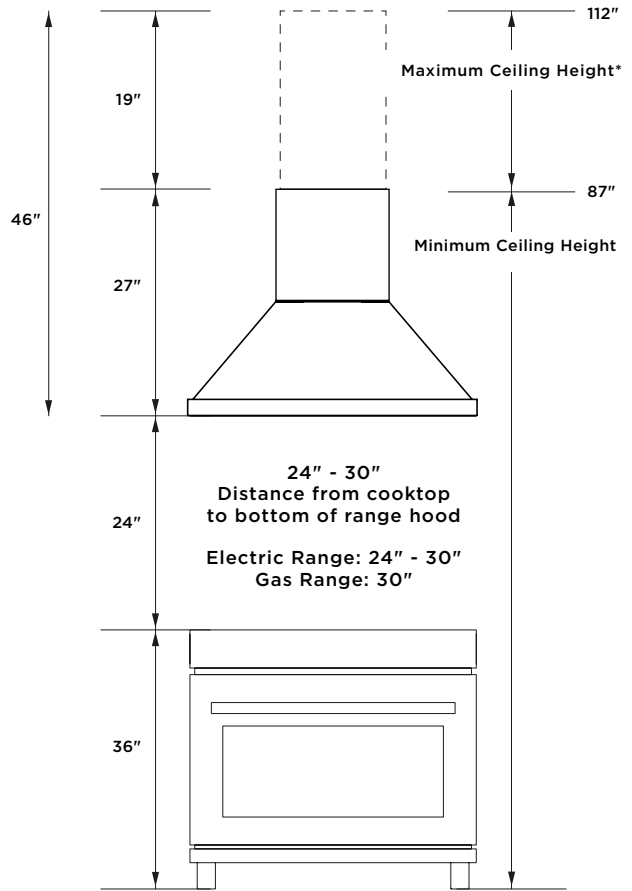
ADA COMPLIANT PRODUCT:

This ADA compliant range hood can be operated via remote control, enhancing safety for users of all abilities.

DETAILED DRAWING



CEILING HEIGHT GUIDE



SPECIFICATIONS

SIZE	30"
STYLE	Wall Mount
DUCTLESS	Yes
CLEANING FUNCTION	N/A
NOISE LEVEL	1.5 to 6.5 Sones
LIGHT COLOR TEMP.	Warm / 3000 Kelvin
LIGHT BULB	3W LED (Integrated)
LIGHT INTENSITY	1 Level
CONTROL	Electronic Buttons
SPEED SELECTIONS	3 Levels
CONVERTIBLE	Yes. Charcoal Filters (CFI001) Not Included.

EQUIVALENT AIRFLOW	860 CFM
LABORATORY AIRFLOW	450 CFM
TOP VENTING	6" Round
REAR VENTING	N/A
MOTOR	Single
WATTAGE	216W
VOLTAGE	120V
CONNECTION	Plug-In
AMPERAGE	1.8 Amp
OVERALL PRODUCT DIMENSIONS (WxDxH)	30": 29-3/4" x 19-3/4" x 27" - 46"