

XRF24CWC

INSTALLATION MANUAL FOR 24" WINE COOLER

# INSTALLATION INSTRUCTIONS

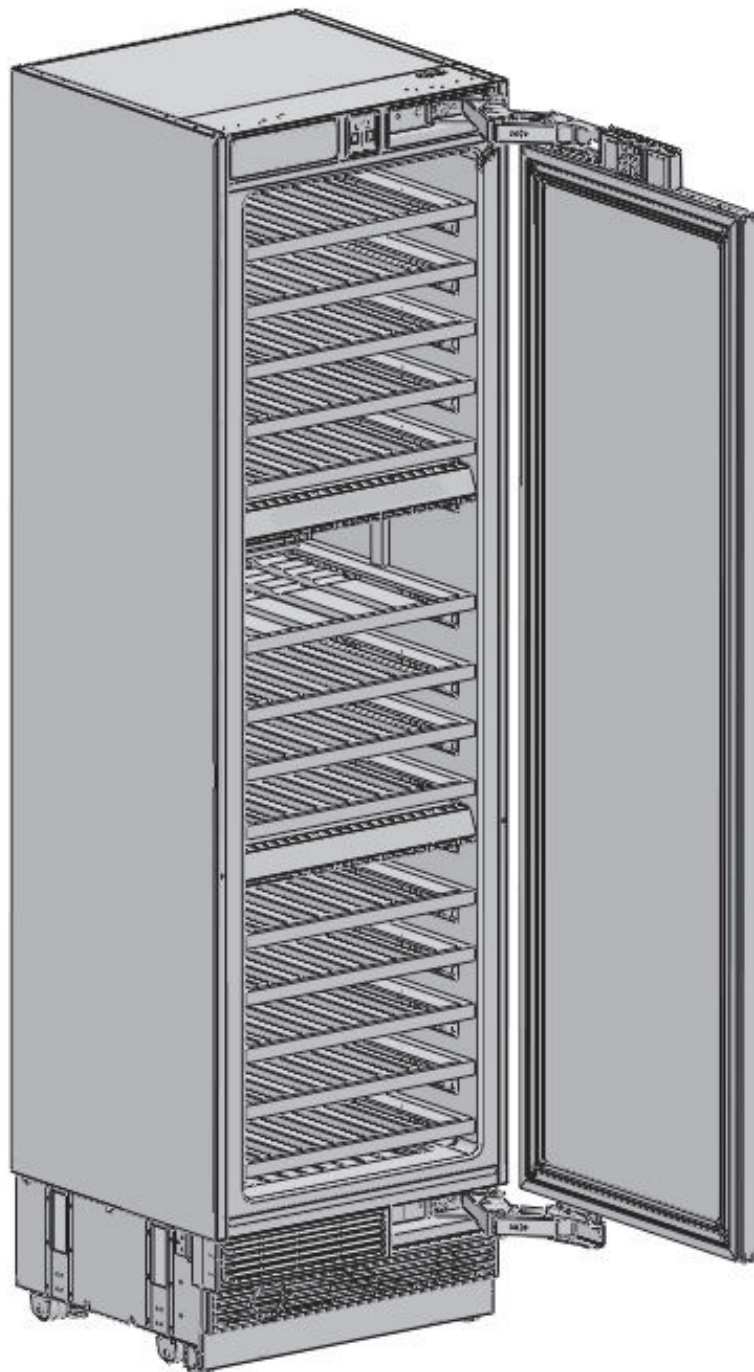
**THOR**  
K I T C H E N<sup>®</sup>

# THOR

K I T C H E N<sup>®</sup>

## XRF24CWC Wine cooler

### Installation Manual



# Contents

---

Information.....	3-10
Types of Safety Warnings.....	3
General Safety.....	3-6
Save These Instructions.....	7
Disposal of Old Appliance.....	7
Before Using Your Appliance.....	8
Installation of Your Appliance.....	8-9
Attention.....	9
Electrical Connection.....	10
Installation dimensions.....	12-14
Electrical location.....	15
Carbon Filter.....	16
Installing the Handle.....	16
Changing the door opening direction.....	16-21
Removing the packing.....	21-25
Removing the vent hole assembly.....	26
Mounting the anti-tip brackets.....	27
Installation Instructions.....	28-38
Installing the limit pins.....	39
Removing the Wooden Shelves.....	40

# Safety Information

Your safety and the safety of others are very important. We have provided many important safety messages in this manual for your appliance. Always read and obey all safety messages.






This is the Safety Alert Symbol. This symbol alerts you to potential hazards that can cause severe bodily injury or death.

All safety messages will follow the Safety Alert Symbol and either the words "DANGER" "WARNING" OR "CAUTION"

 <b>DANGER</b>
Danger means that failure to heed this safety statement may result in severe injury or death.
 <b>WARNING</b>
Warning means that failure to heed this safety statement may result in extensive product damage, serious personal injury, or death.
 <b>CAUTION</b>
Caution means that failure to heed this safety statement may result in minor or moderate personal injury, property or equipment damage.

# Safety Information

## General Safety

	<b>DANGER</b>
When using an electrical appliance, basic precautions should always be followed to reduce the risk of fire, electric shock, and injury to persons.	
	<b>WARNING</b>
To reduce the risk of fire, electric shock or personal injury, unplug or disconnect the appliance from the power supply before servicing.	
	<b>CAUTION</b>
Flammable refrigerant used! When handling, moving and use of the refrigerator, make sure to avoid either damaging the refrigerant tubing, or increasing the risk of a leak.	

- ▶ Use this appliance only as described in this manual. Other uses not recommended may cause fire, electric shock or personal injury.
- ▶ This appliance is not intended for use by young children or infirm persons unless they have been adequately supervised by a responsible person to ensure that they can use the appliance safely.
- ▶ Young children should be supervised to ensure that they never play with the appliance.
- ▶ To protect against the risk of electric shock, NEVER IMMERSE the unit, cord, or plug in water or spray any other liquid.
- ▶ Unplug the appliance from the plug socket when not in use, when moving from one location to another and before cleaning.

# Safety Information

For your safety, read all instructions carefully before operating the appliance.

- ▶ To disconnect the appliance, grip the plug and pull it from the wall outlet. Never pull by the cord.
- ▶ Never operate the appliance in the presence of explosive and/or Flammable fumes.
- ▶ Never place the appliance or any of its parts near an open flame, cooking or other heating appliance.
- ▶ Never operate the appliance with a damaged cord or plug, if the product malfunctions, or if it is dropped or damaged in any manner.
- ▶ The use of attachments not recommended by the manufacturer may be hazardous.
- ▶ Never operate if the housing is removed or damaged.
- ▶ A loose fit between the AC outlet (receptacle) and plug may cause overheating and a distortion of the plug. Contact a Qualified electrician to replace loose or worn outlet.



## WARNING

Prop. 65 Warning for California Residents: This product may contain chemicals known to the State of California to cause cancer, birth defects, or other reproductive harm.

- ▶ Locate the unit away from direct sunlight and sources of heat (stove, heater, radiator, etc.).
- ▶ This appliance is CFC and HFC free and contains small quantities of isobutane (R600a), an environmentally friendly coolant.
- ▶ CAUTION – Risk of fire or explosion due to puncture of refrigerant tubing; follow handling instructions carefully. Flammable refrigerant used.
- ▶ You must ensure that the cooling circuit is undamaged when installing the appliance. However, if it becomes damaged, avoid proximity to open fires and heat sources of all kinds. The room in which the appliance is located should be ventilated properly and according to state and local codes.
- ▶ Never use an appliance with a damaged circuit.
- ▶ Ensure that the ventilation openings to and from a built-in appliance are never blocked or covered.
- ▶ No liability will be accepted for any damage caused by misuse of the appliance, or as a result of repairs carried out by unqualified person. In this case neither the warranty nor any other liability claims will apply.

# Safety Information



## WARNING

Never operate any other electrical appliance inside this appliance.

- ▶ Never attempt to repair or replace any part of your appliance unless it is specifically recommended in this manual. All other servicing should be referred to a qualified technician.
- ▶ DANGER – Risk of fire or explosion. Flammable refrigerant used. To be repaired only by trained service personnel. Use only manufacturer authorized service parts. Any repair equipment used must be designed for flammable refrigerants. Follow all manufacturer repair instructions. Do not puncture refrigerant tubing.
- ▶ DANGER – Risk of fire or explosion. Flammable refrigerant used. Do not use mechanical devices to defrost refrigerator. Do not puncture refrigerant tubing.
- ▶ Replace all access panels before operating.
- ▶ Use two or more people to move and install the appliance. Failure to do so can result in back or other injury.
- ▶ Never clean appliance parts with flammable liquids. These fumes can create a fire hazard or explosion. Never store or use gasoline or other flammable vapors and liquids in the vicinity of this or any other appliance. The fumes can create a fire hazard or explosion.
- ▶ Never connect or disconnect the electric plug with wet hands.
- ▶ It is recommended that a separate circuit, serving only your appliance be provided. Use receptacles that cannot be turned off by a switch or pull chain.



## WARNING

To reduce the risk of fire, electric shock or personal injury, unplug or disconnect the appliance from the power supply before servicing.

# Safety Information

For your safety, read all instructions carefully before operating the appliance.

## Save These Instructions

If you are experiencing problems, check the Troubleshooting Guide at the back of this manual. It lists causes of minor operating problems that you can correct yourself.

## Disposal of Old Appliance

Dispose of your appliance packaging properly. Refrigeration equipment must be properly disposed of in a way which protects the environment. This applies to your old appliance and to your new unit once it has reached the end of its service life.



- ▶ **WARNING:** Risk of child entrapment. Before you throw away your old refrigerator or freezer, Take off the doors. Leave the shelves in place so that children may not easily climb inside.
- ▶ **CAUTION –** Risk of fire or explosion. Dispose of refrigerator properly in accordance with the applicable federal or local regulations. Flammable refrigerant used.
- ▶ The appliance must not be disposed with normal household waste collection.
- ▶ The coolant circuit, particularly the heat exchange at the back/bottom of the unit, must not be damaged.
- ▶ The symbol on the product or its packaging indicates that this product is not to be handled as normal household waste but is to be taken to a recycling collection point for electrical and electronic goods. By correctly disposing of this product you are contributing to the protection of the environment. Improper disposal endangers health and the environment. Further information about the recycling of the product may be obtained from your town hall or local waste collection department.



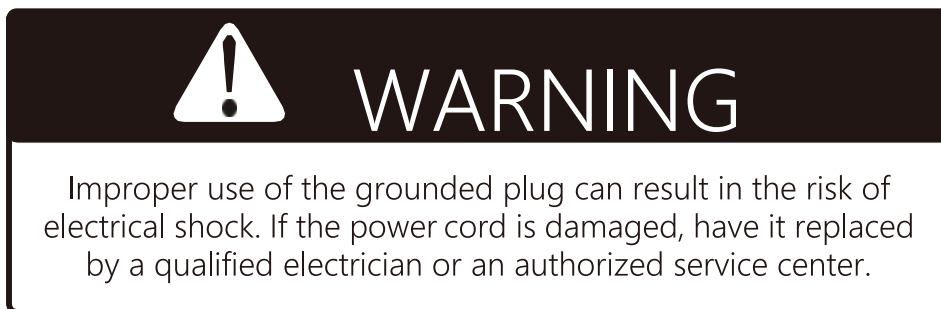
# Safety Information

---

## Before Using Your Appliance

- ▶ Remove all exterior and interior packing.
- ▶ Before connecting the appliance to the power source, let it stand upright for approximately 2 hours. This will reduce the possibility of a malfunction in the cooling system caused by handling during transportation.
- ▶ Clean the interior surface with warm water using a soft cloth.
- ▶ The door on this appliance can be opened from either the left or the right side. The unit is delivered with the door opening on the left side. Should you wish to open the door from the right, follow the instructions, "Reversing the Door Swing of your Appliance," listed below.

## Installation of Your Appliance



- ▶ The appliances are designed for either built-in, or free-standing installation.
- ▶ Place your appliance on a floor that is strong enough to support it when it is fully loaded. To level your appliance, adjust the 4 legs until level.
- ▶ Locate the appliance away from direct sunlight and sources of heat (stove, heater, radiator, etc.). Direct sunlight may affect the acrylic coating and heat sources may increase electrical consumption. Extreme cold ambient temperatures may also cause the unit not to perform properly.
- ▶ Never place the unit in damp areas.
- ▶ Plug the appliance into an exclusive, easily accessible electrical socket.
- ▶ Any questions concerning power and/or electrical connection should be directed towards a qualified electrician or an authorized products service center.
- ▶ The air vent at the front of the appliance must never be covered or blocked in any way.

# Safety Information

---

For your safety, read all instructions carefully before operating the appliance.

- ▶ The appliance must be installed to all electrical connections in accordance with state and local codes.
- ▶ Use two or more people to move and install the beverage cooler. Failure to do so can result in back or other injury.
- ▶ The cooler may experience decreased cooling efficiency if air flow is restricted due to a fully loaded cabinet.
- ▶ Install the beverage cooler in a well-ventilated area where the ambient temperature is above 50°F and below 90°F.

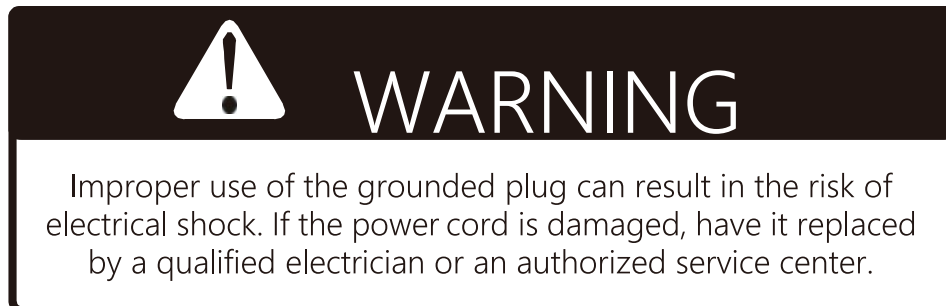
## Attention

- ▶ Never overload the cabinet.
- ▶ Never open the door unless necessary.
- ▶ Never cover shelves with aluminum foil or any other shelf material which may prevent air circulation.
- ▶ Should the appliance be left empty for long periods, it is suggested that the appliance be unplugged, and, after careful cleaning, leave the door ajar to allow air to circulate inside the cabinet in order to avoid possible condensation, mold or odors from forming.

# Safety Information

## Electrical Connection

Check that the voltage marked on the product corresponds with your supply voltage.



This appliance should be properly grounded for your safety. The power cord of this appliance is equipped with a three-pin plug which mates with standard three-pin wall outlets to minimize the possibility of electrical shock.

Never under any circumstances cut or remove the third ground prong from the power cord supplied. For personal safety, this appliance must be properly grounded.





















Have the wall outlet and circuit checked by a qualified electrician to make sure the outlet is properly grounded. When a standard two-pin wall outlet is encountered, it is your responsibility and obligation to have it replaced with a properly grounded three-pin wall outlet.

To prevent accidental injury, the cord should be secured behind the appliance and not left exposed or dangling.

The appliance should always be plugged into its own individual electrical outlet which has a voltage rating that matches the rating label on the appliance. This provides the best performance and also prevent overloading wiring circuits that could cause a fire hazard from overheating. Never unplug the appliance by pulling the power cord. Always grip the plug firmly and pull straight out from the receptacle. Repair or replace immediately all power cords that have become frayed or otherwise damaged. Never use a cord that shows cracks or abrasion damage along its length or at either end. When moving the appliance, be careful not to damage the power cord.

Never use your appliance with an extension cord unless this cord has been checked and tested by a qualified technician or service person. The extension cord must be a UL/CUL Listed, 3-wire grounding extension cord that has a grounding plug and outlet and that the electrical rating of the cord is 115 volts and at least 10 amperes.

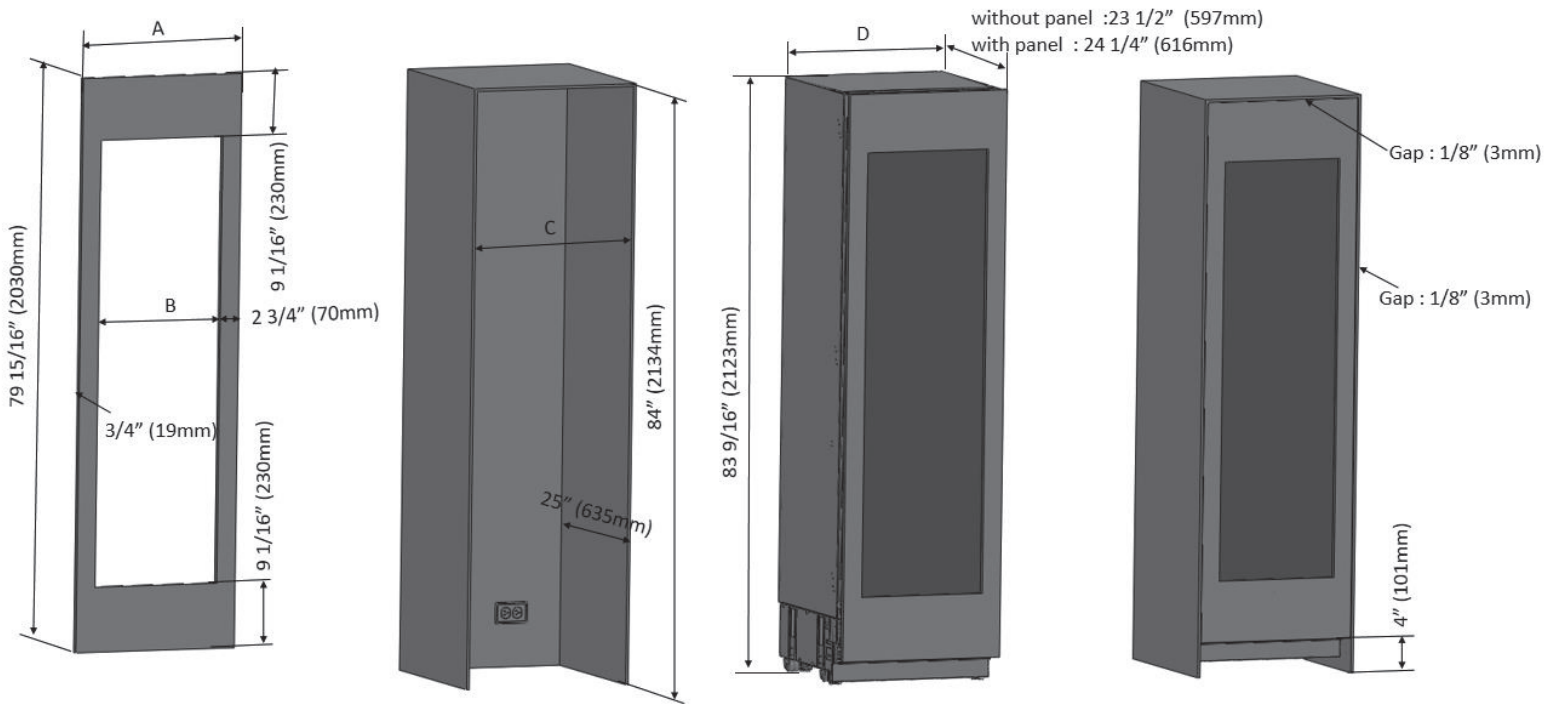
# List of Materials

Quantity	Part	WE3-276BI
	Door handle (if applicable )	1
	Allen/hex key (if applicable )	1
	Handle mounting fastener (if applicable )	2
	Gasket (if applicable )	2
	Stop nut, M5 (if applicable )	2
	set screw, M5*10 (if applicable )	2
	Anti-tip bracket	2
	Anti tip bracket screws and dowels	8
	Bracket furniture	8
	Counter sunk head screw,ST4x14	20
	Truss washer head,ST4*12	16
	Position adjustment part	1
	Countersunk head screws for fixing wooden doors ST4x35	8
	Air vent hinge part(if applicable )	1
	90° limit pin	1
	Furniture door preparation template	1
	Decorative parts	1+2
	Hinge bracket ( WE3-276BI )	1
	Hinge bracket ( WE3-276BI )	1
	User manual	1

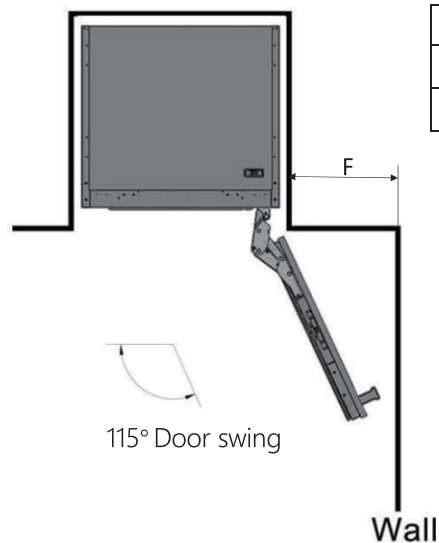
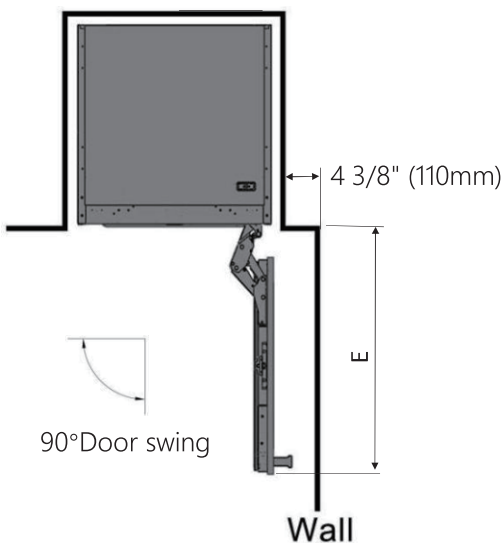
# Installation Instructions

## Installation dimensions

Wood panel cutout dimension and installation clearance



## Installation dimensions

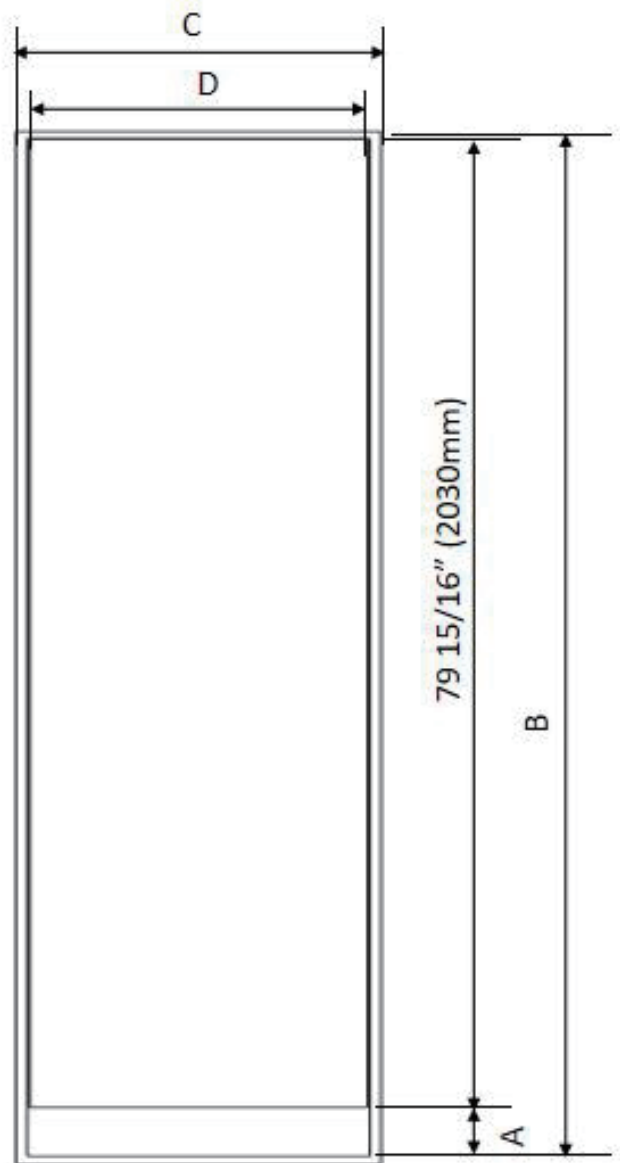
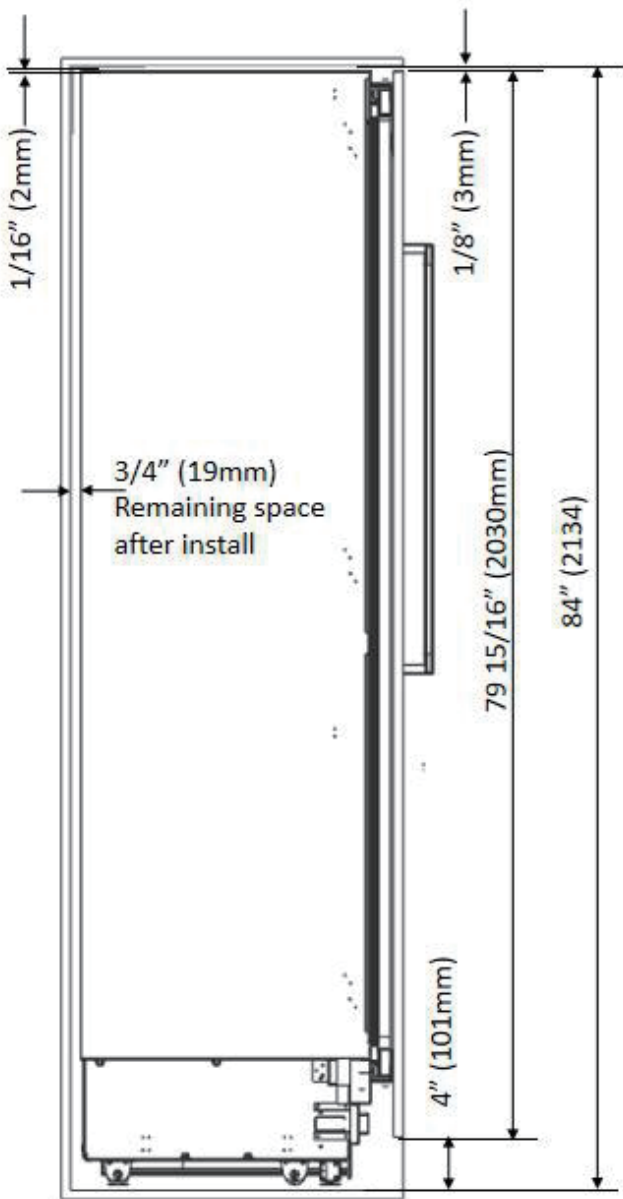


	XRF24CWC
E	26" (660mm)
F	14" (356mm)

# Installation Instructions

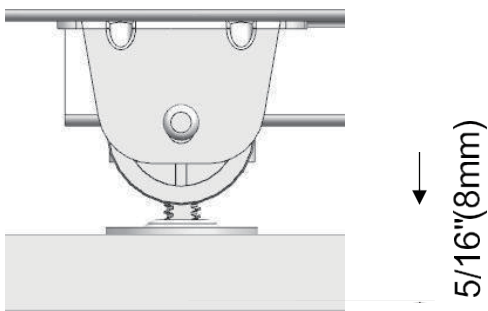
	A	B
standard	4" (101)	84" (2134)
minimum	3 3/4" (95)	83 3/4" (2127)
maximum	5 5/16" (135)	85 5/16" (2167)

	XRF24CWC
C	24" (609mm)
D	23 3/4" (603mm)

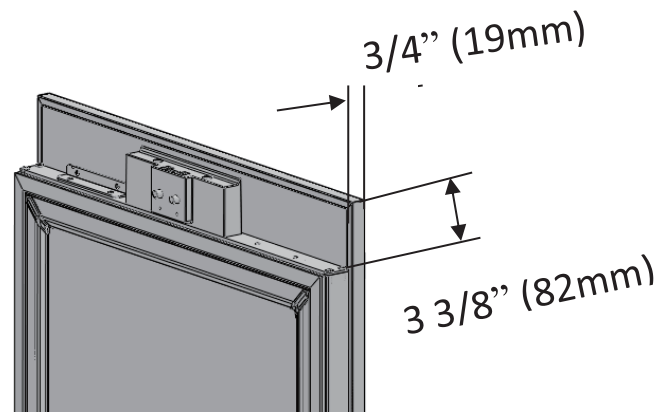


# Installation Instructions

## Anti tip brackets location



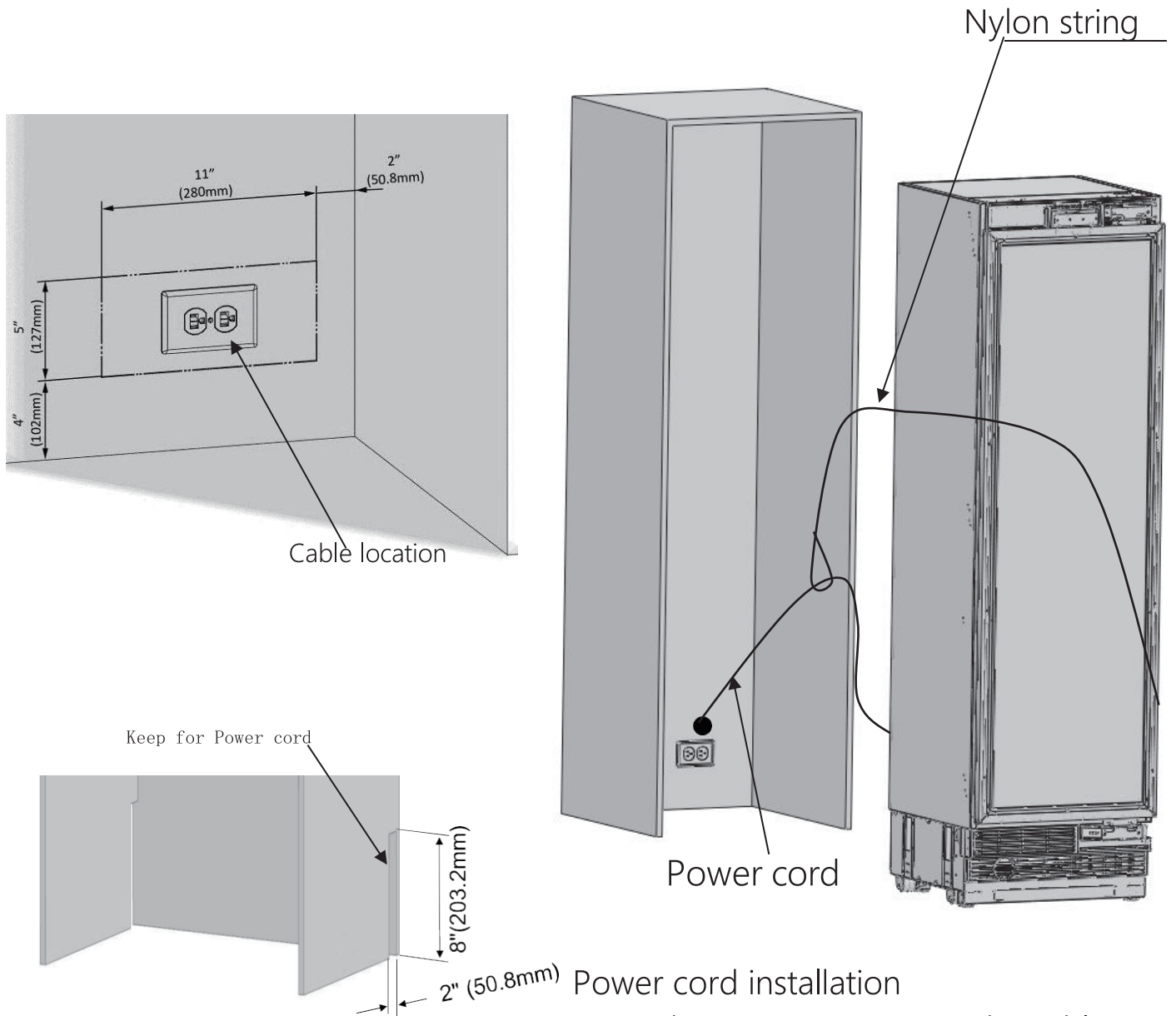
Minimum height adjustment for leveling



Assembly dimension between Wood panel and fridge door

# Installation Instructions

## Electrical location



Power cord installation  
Use nylon string to prevent the cable  
from getting jammed.

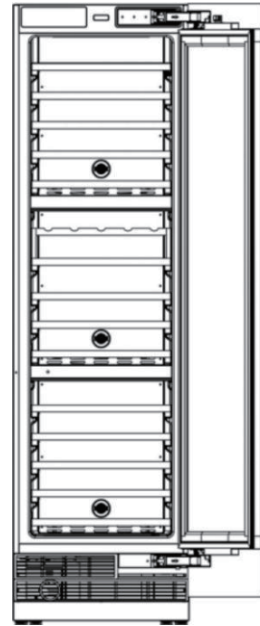


# Installation Instructions

## Carbon Filter

A built-in carbon filter protects your beverages by acting as a natural barrier against harmful odors. The carbon filter should be replaced every 3-6 months depending on the unit's exposure level to odor. If the unit is placed in a kitchen, regular replacement every three months is ideal.

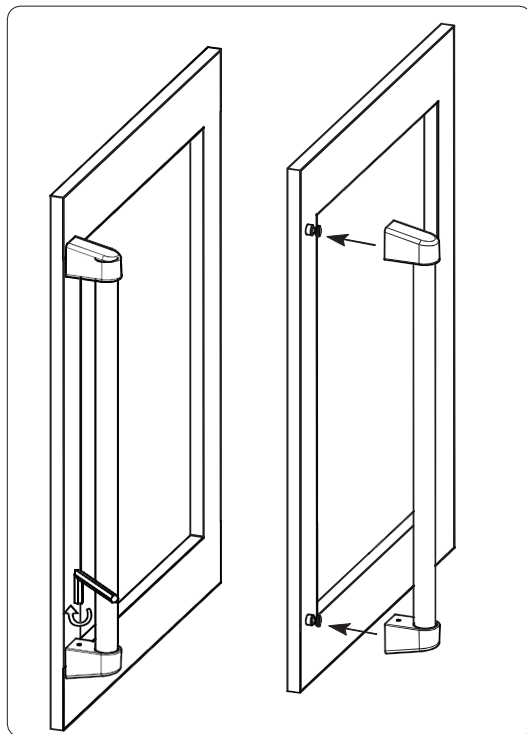
Remove the carbon filter by turning counterclockwise to unlock from rear panel.



## Install the handle (if applicable )

If a pro handle or different colored contemporary handles are desired, refer below for the handle dimensions and part number.

1. Align the handle fixing holes with the holes on the wooden door, then install the handle with a screwdriver.

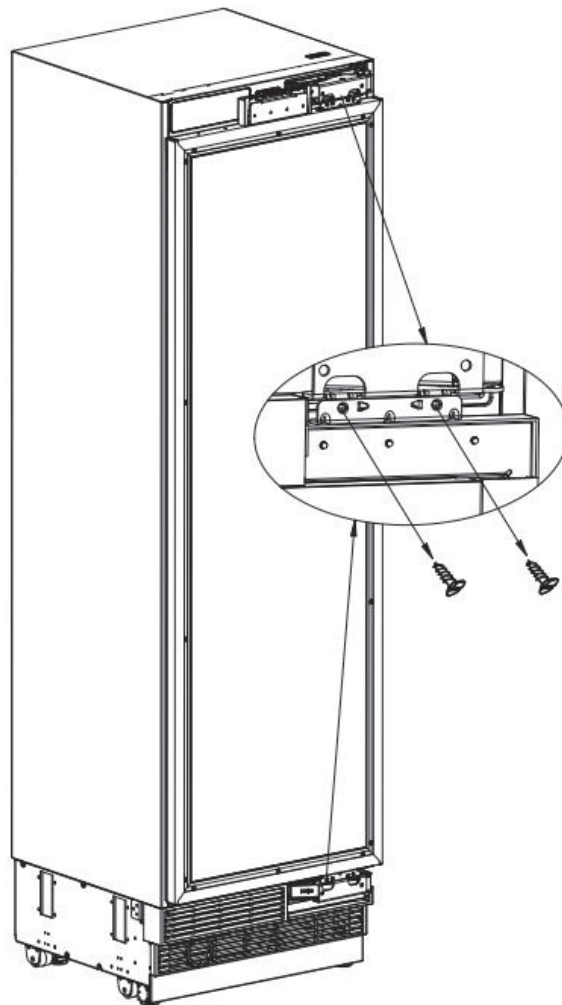


# Installation Instructions

## Changing the door opening direction

Should you desire to reverse the opening direction of the door, please follow the instructions below. Safely reversing the door swing of your appliance should require at least two people.

- Remove the hinge connection screws of the Hinge Brackets.



### ATTENTION:

The clad door will be released when these screws are removed.

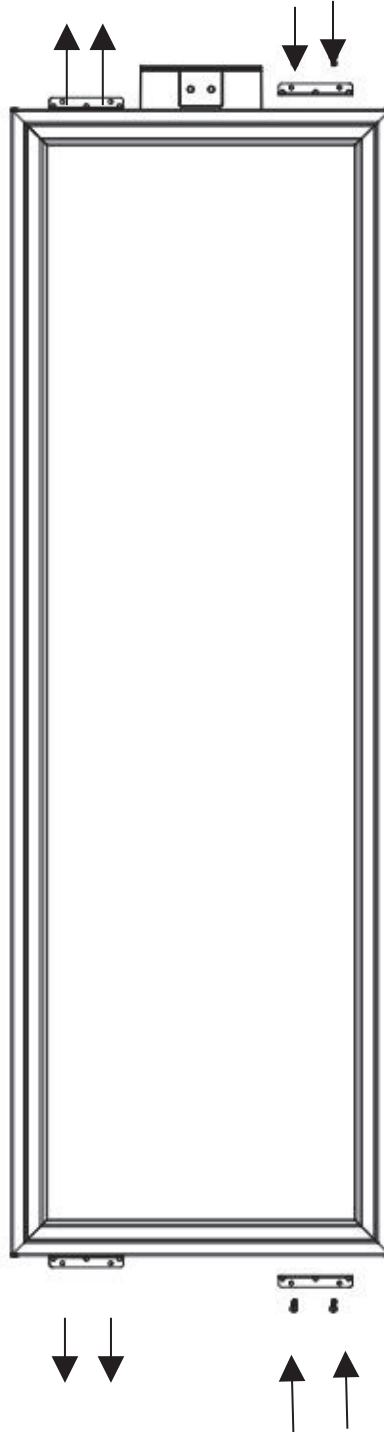
You must take measures to prevent the door from falling.

You can tape the Furniture Door to the Inner Door or ask for help from another person.

# Installation Instructions

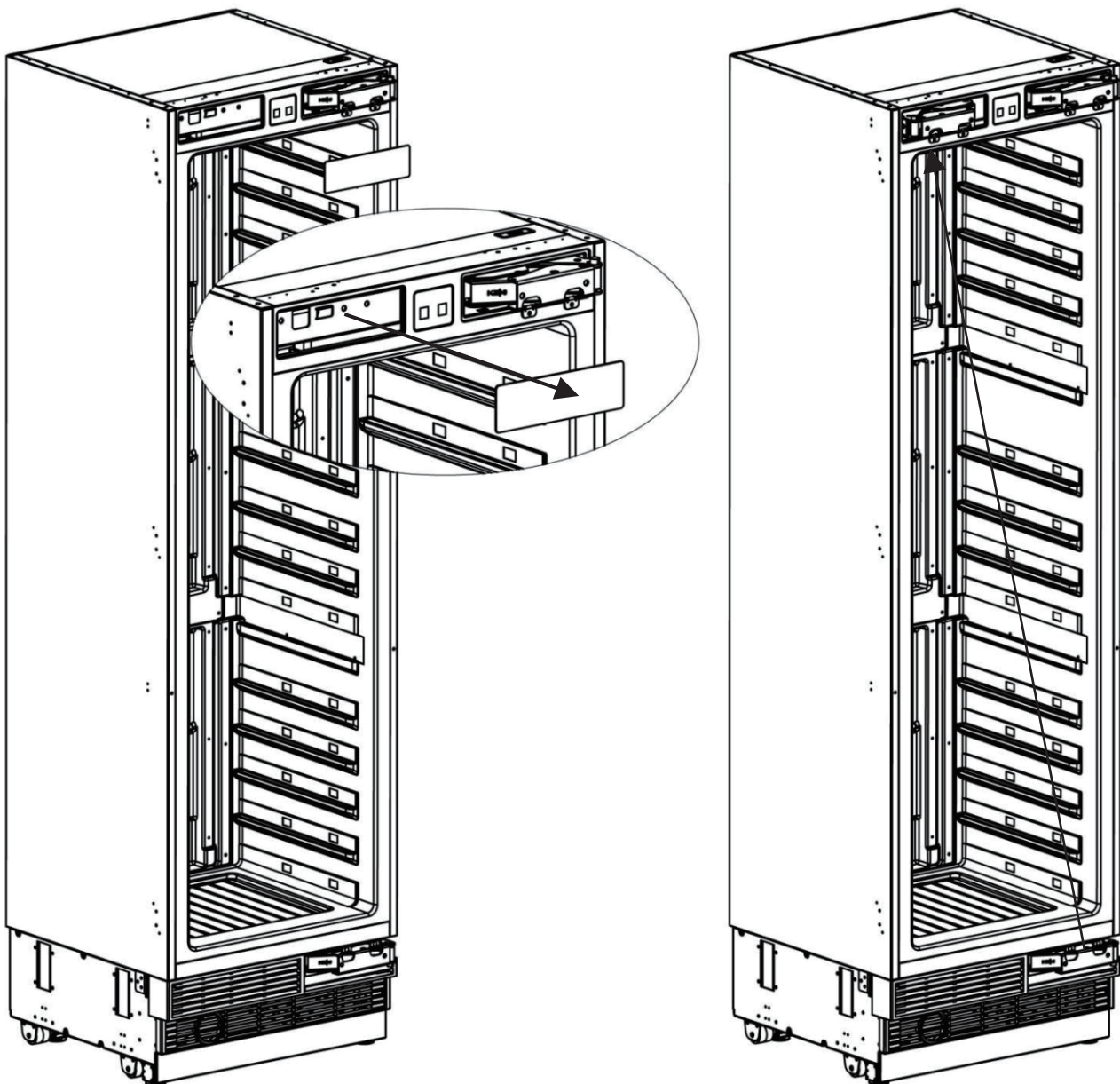
---

- Take out door and lay it down on a table.
- Remove the hinge brackets on the fridge door.
- Take out the new hinge brackets **from Accessories bag** and screw it on the reverse side.



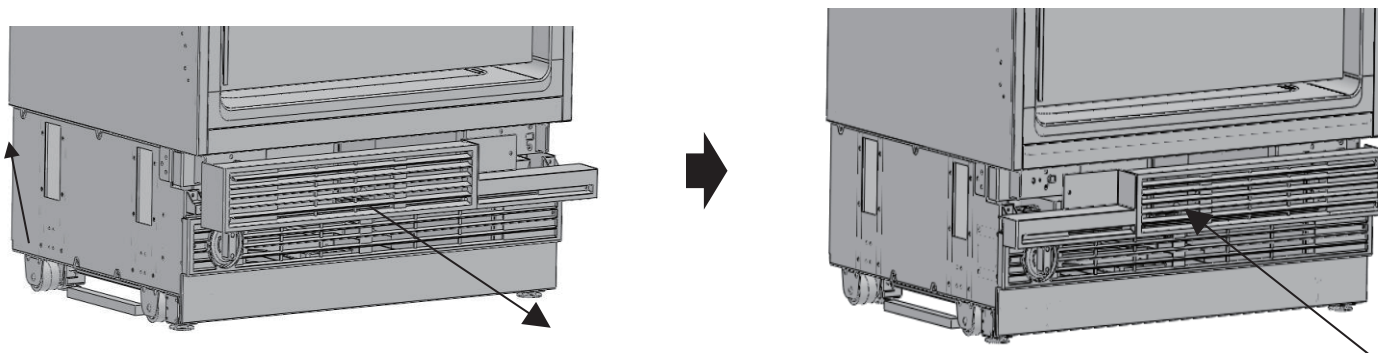
# Installation Instructions

- Remove the Hinge Caps located at the other side where you will fix the hinges.
- Remove the lower right hinge by loosening its 2 screws and fix it to its slot at the upper left side.



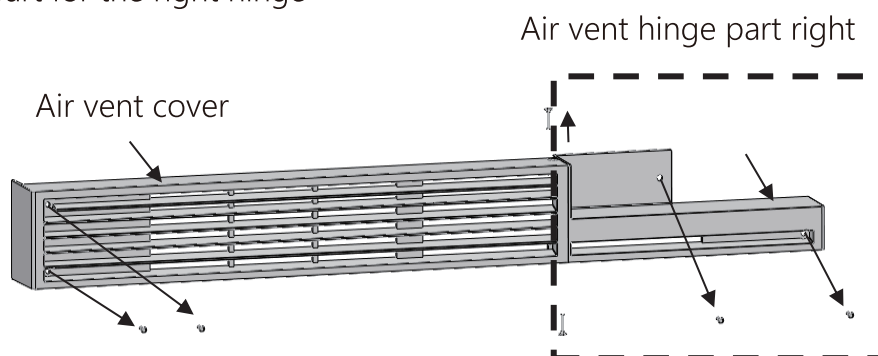
# Installation Instructions

- Remove the air vent part and change direction as shown figure.

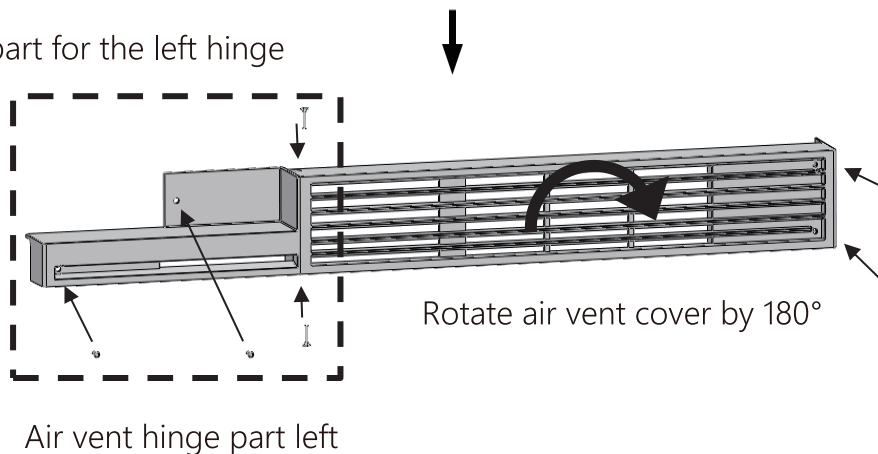


- How to change air vent upper part direction

Air vent upper part for the right hinge

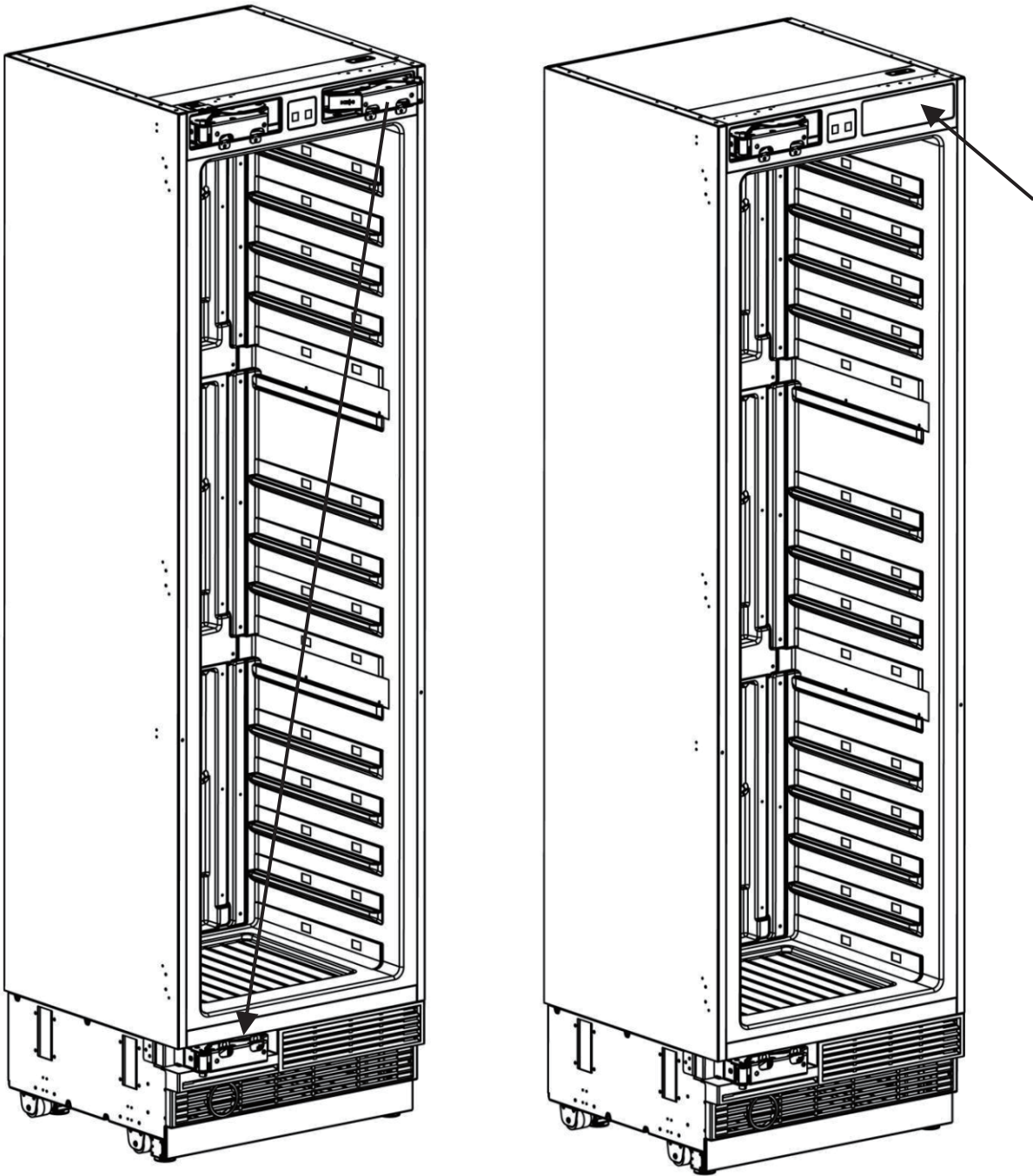


Air vent upper part for the left hinge



# Installation Instructions

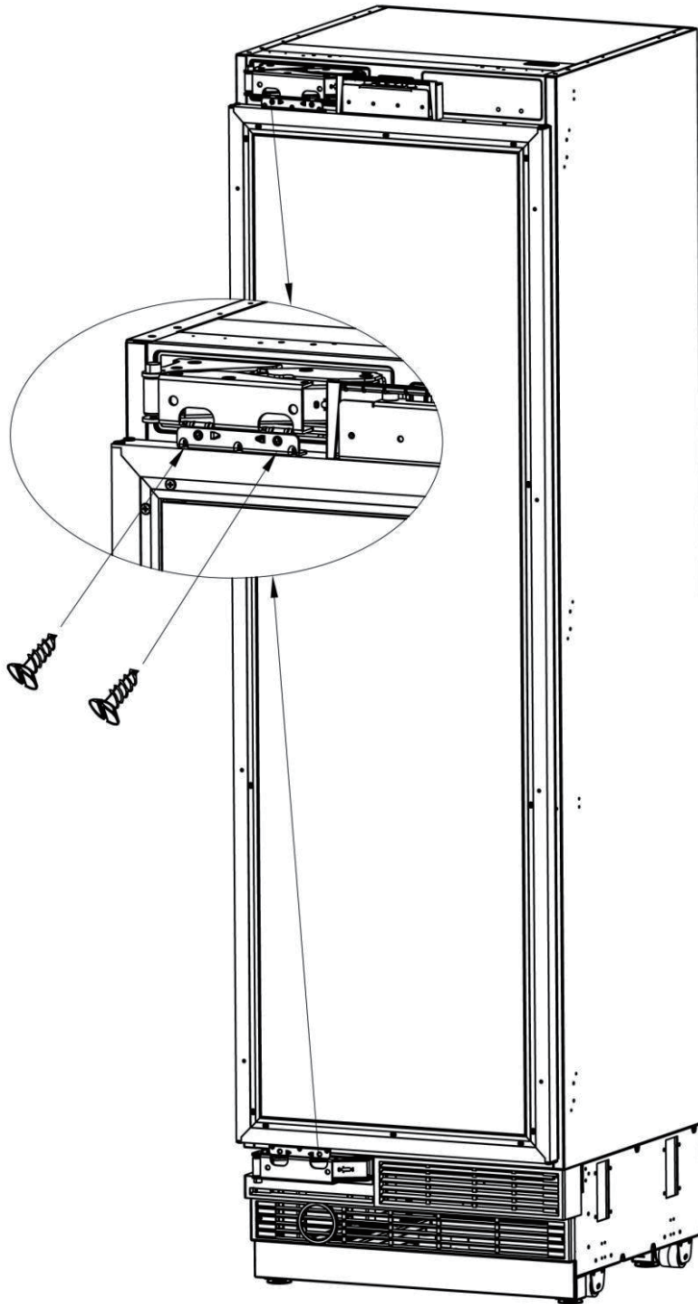
- Remove the upper right hinge by loosening its 2 screws and fix it to its slot at the lower left side.
- Attach the Hinge Slot Caps removed from the left side to the Hinge Caps to the right side.



# Installation Instructions

---

- Place the door to the refrigerator and fix it with 4 screws.



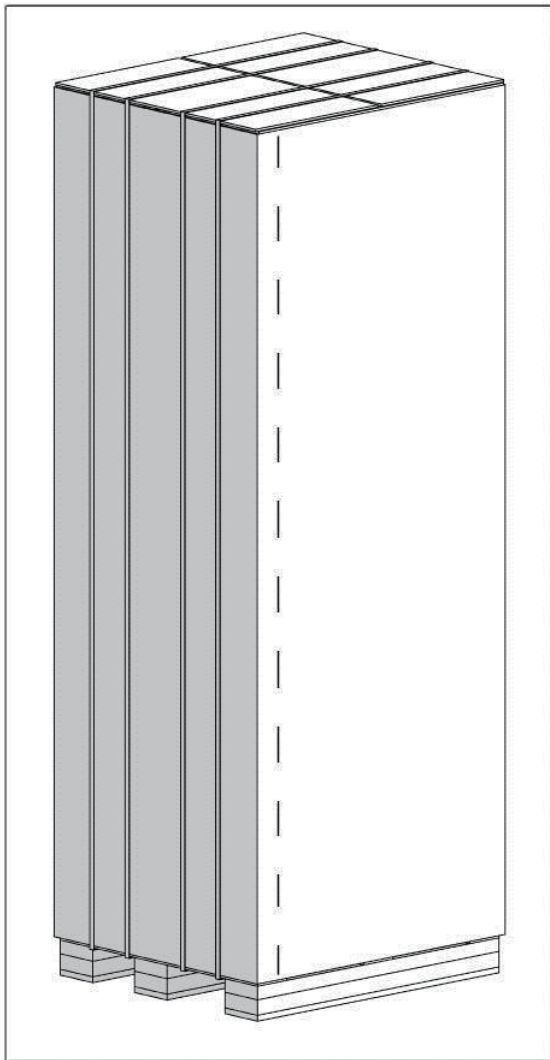
# Installation Instructions

## Removing the packing

- Use a box cutter to remove the tapes.
- Cut the Packaging Board with a Box Cutter through the section illustrated in dotted lines and remove it.



At least two persons must carry the refrigerator.



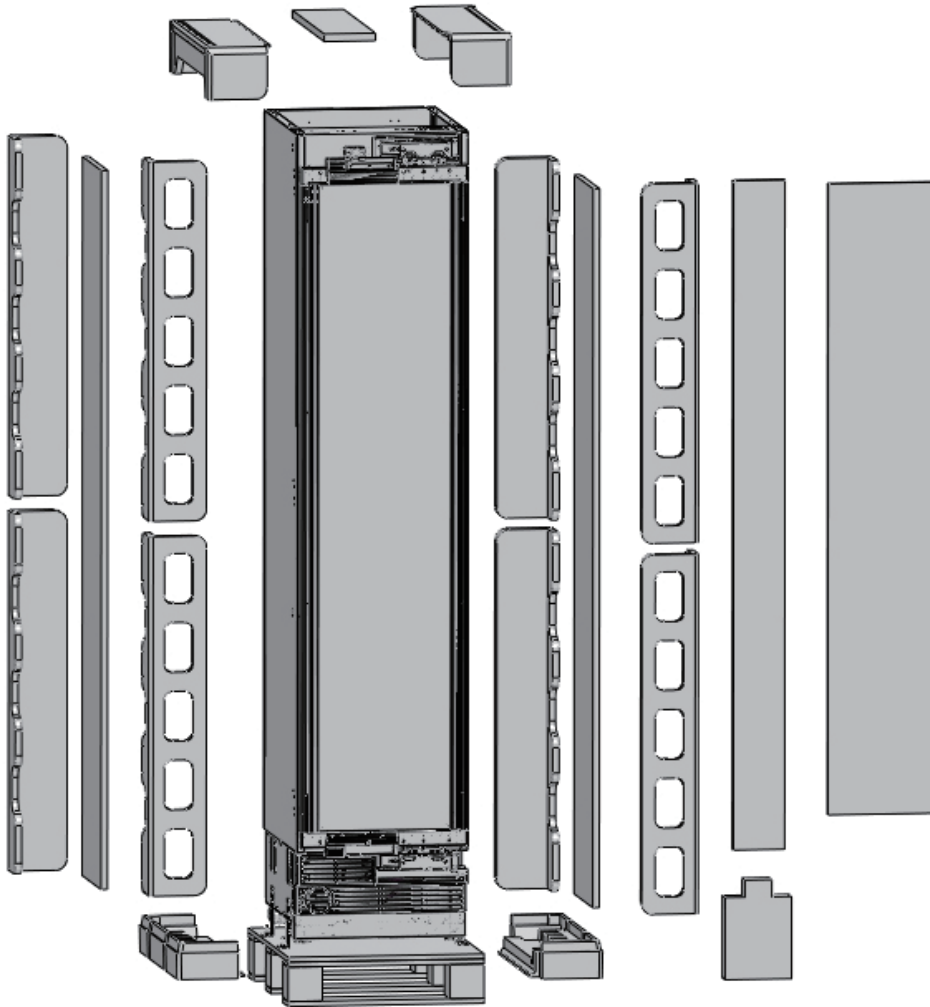


# Installation Instructions

- Remove the Packaging Polystyrene material.



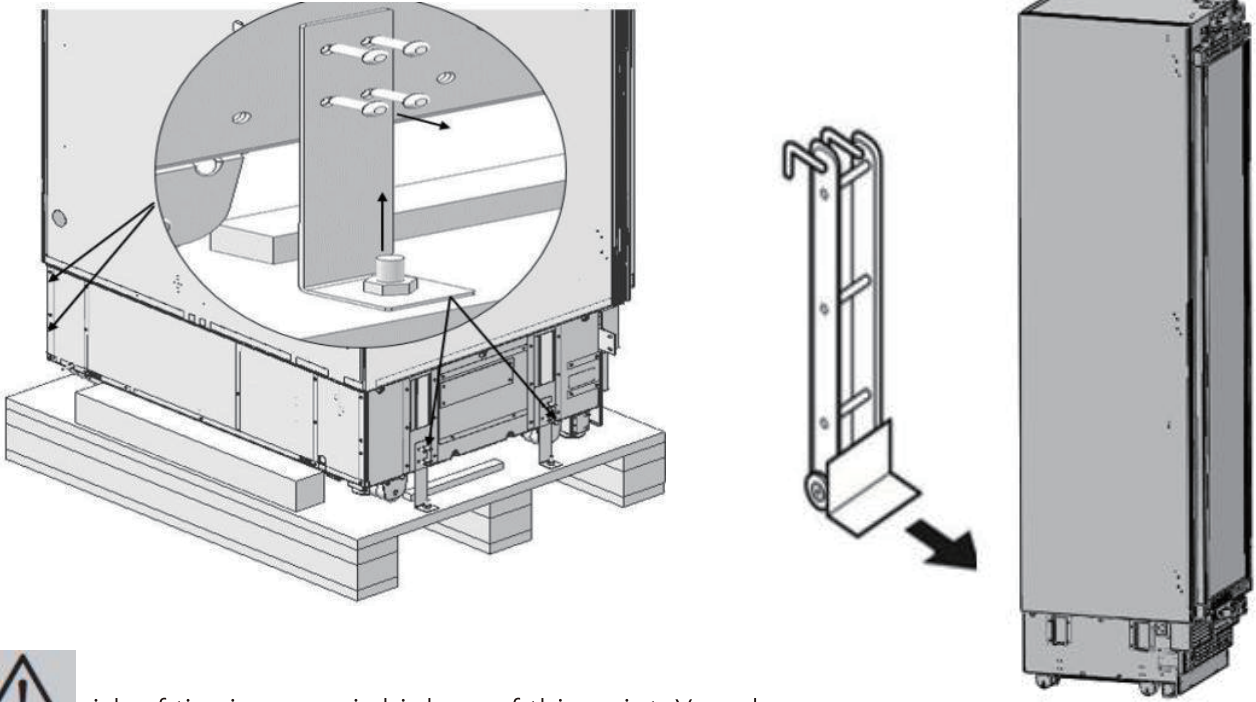
Do not remove the tape of the upper door on the product until the refrigerator is placed into the cabin. Risk of tipping over.



# Installation Instructions

## Taking the refrigerator from the wooden pallet

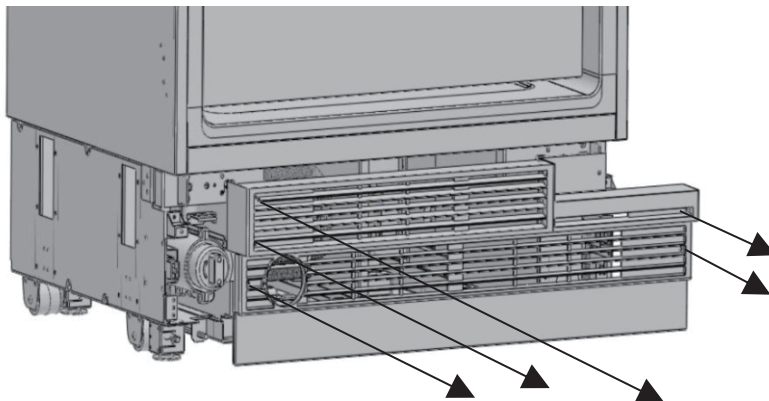
- Remove the brackets that connect the refrigerator to the Wooden Pallet.
- Recline the wine cooler slowly and pull back with the help of the cart, and then land it.



risk of tipping over is high as of this point. You should not open the doors until the product is placed into the cabin.

## Removing the vent hole assembly

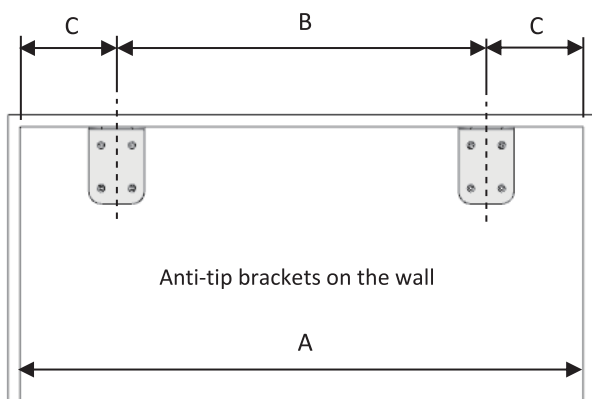
- Remove 5 screws to take out the Vent Hole Assembly.



# Installation Instructions

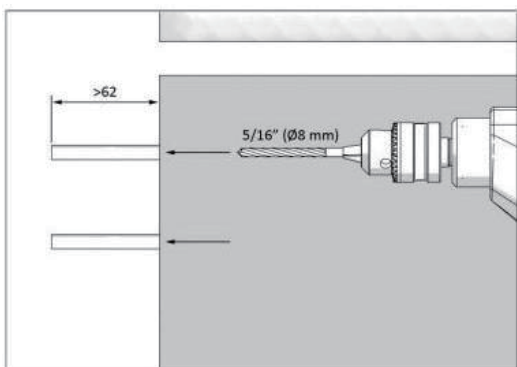
## Mounting the anti-tip brackets

- Mark the wall for anti-tip brackets

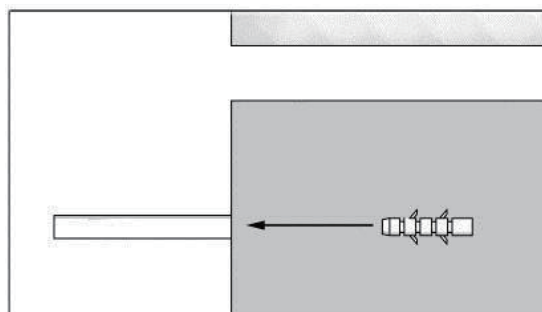


Category	XRF24CWC
A	24" (609mm)
B	17 5/8" (447mm)
C	3 3/16" (81mm)

- Use a drill to create holes for dowels at the marked points. (5/16" -Ø8)



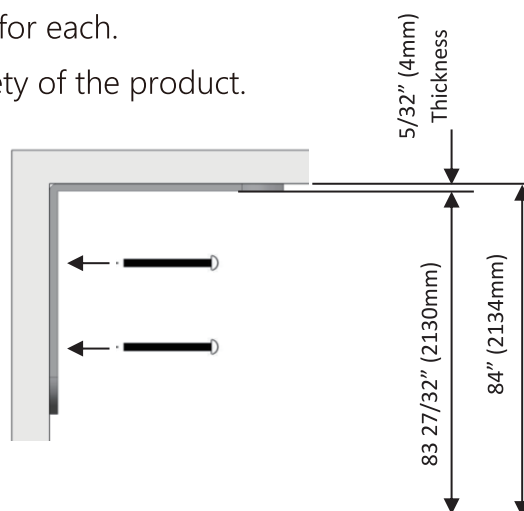
- Use the hammer to fit the dowels



- Fit the brackets into their places, using 4 screws for each.
- You must use all of the 2 brackets to ensure safety of the product.



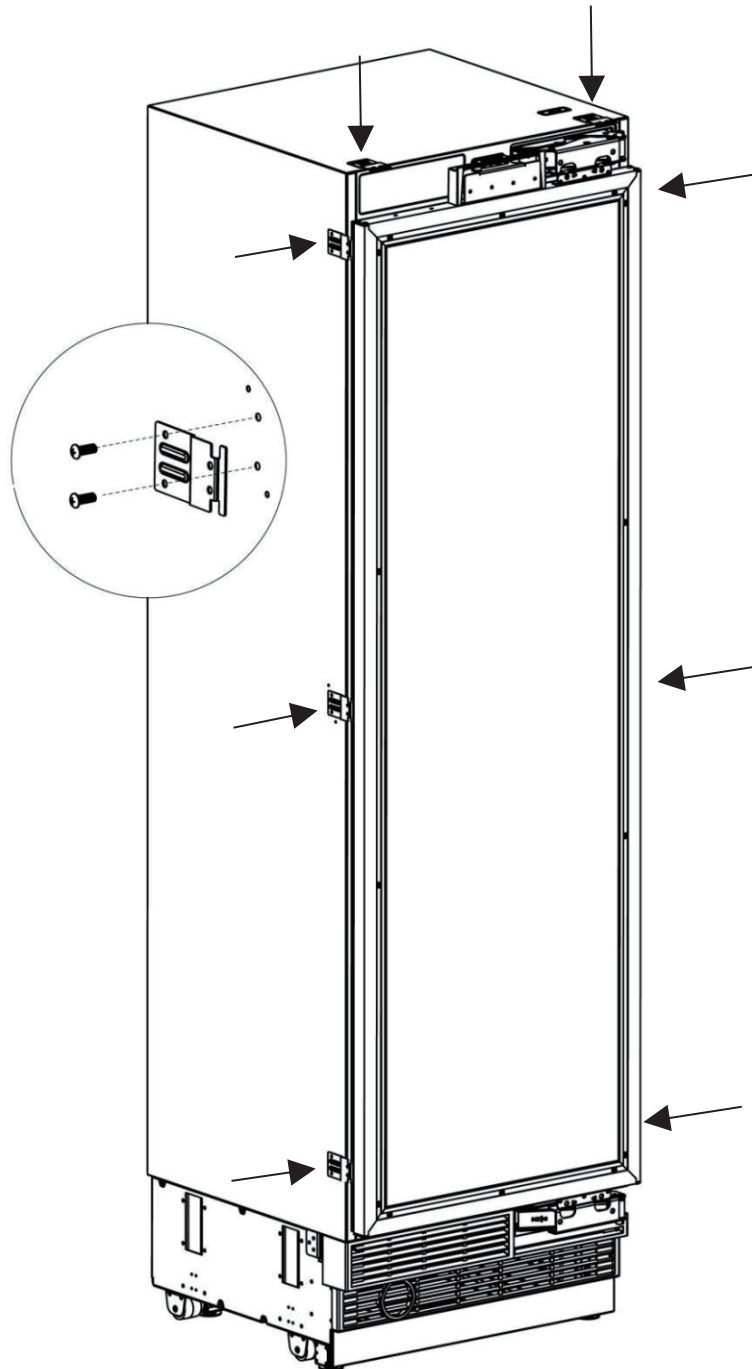
Please remember to use the necessary protective equipment when drilling holes on the wall and performing installation.



# Installation Instructions

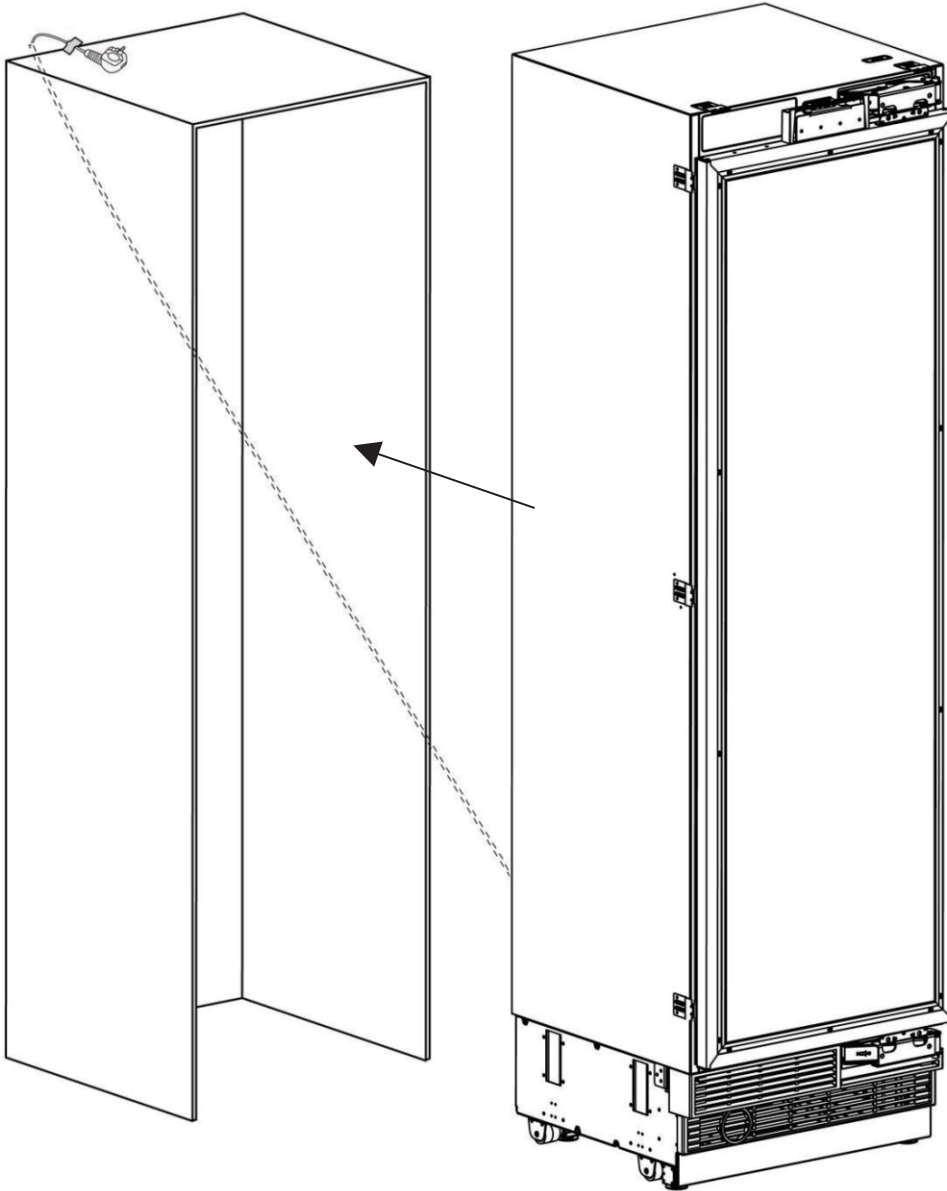
## Screwing the side and upper brackets

- Fix the bracket furniture to the unit, where 2 on the top, and 3 on every side.
- Use the truss washer head screws(ST4\*12) to tighten.



# Installation Instructions

- Push the product carefully towards the cabin to place it.

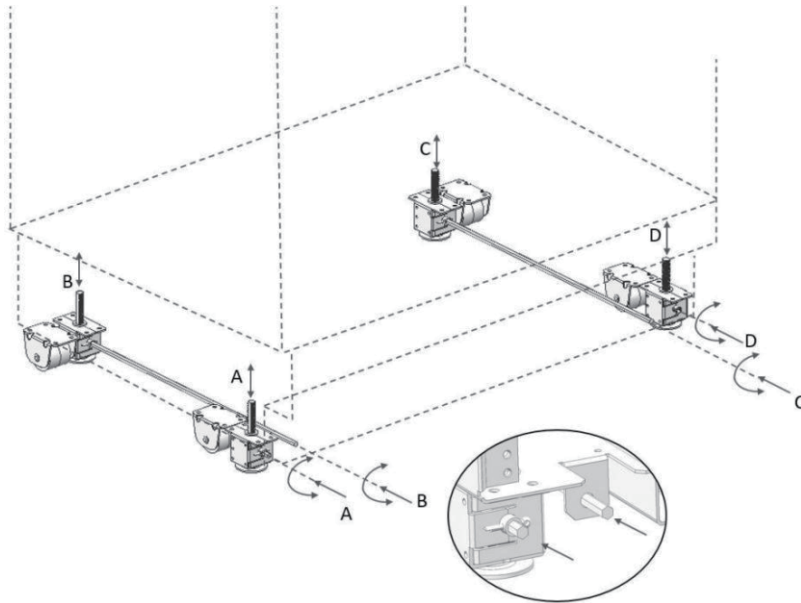


The plug of the product must be accessible after installation.

# Installation Instructions

## Adjusting the height of the wine cooler in the cabin

- Adjust the wine cooler height using the adjustable feet.

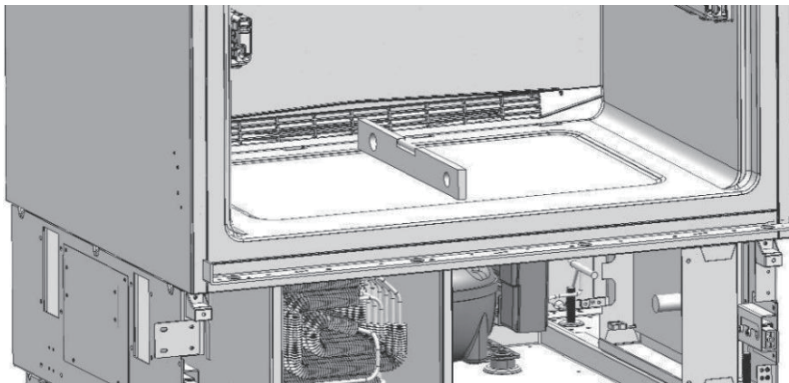


First of all, raise the front feet to reduce the risk of the cabin falling forward.

A/D –Turn the key clockwise to lift the front

B/C –Turn the key clockwise to lift the rear

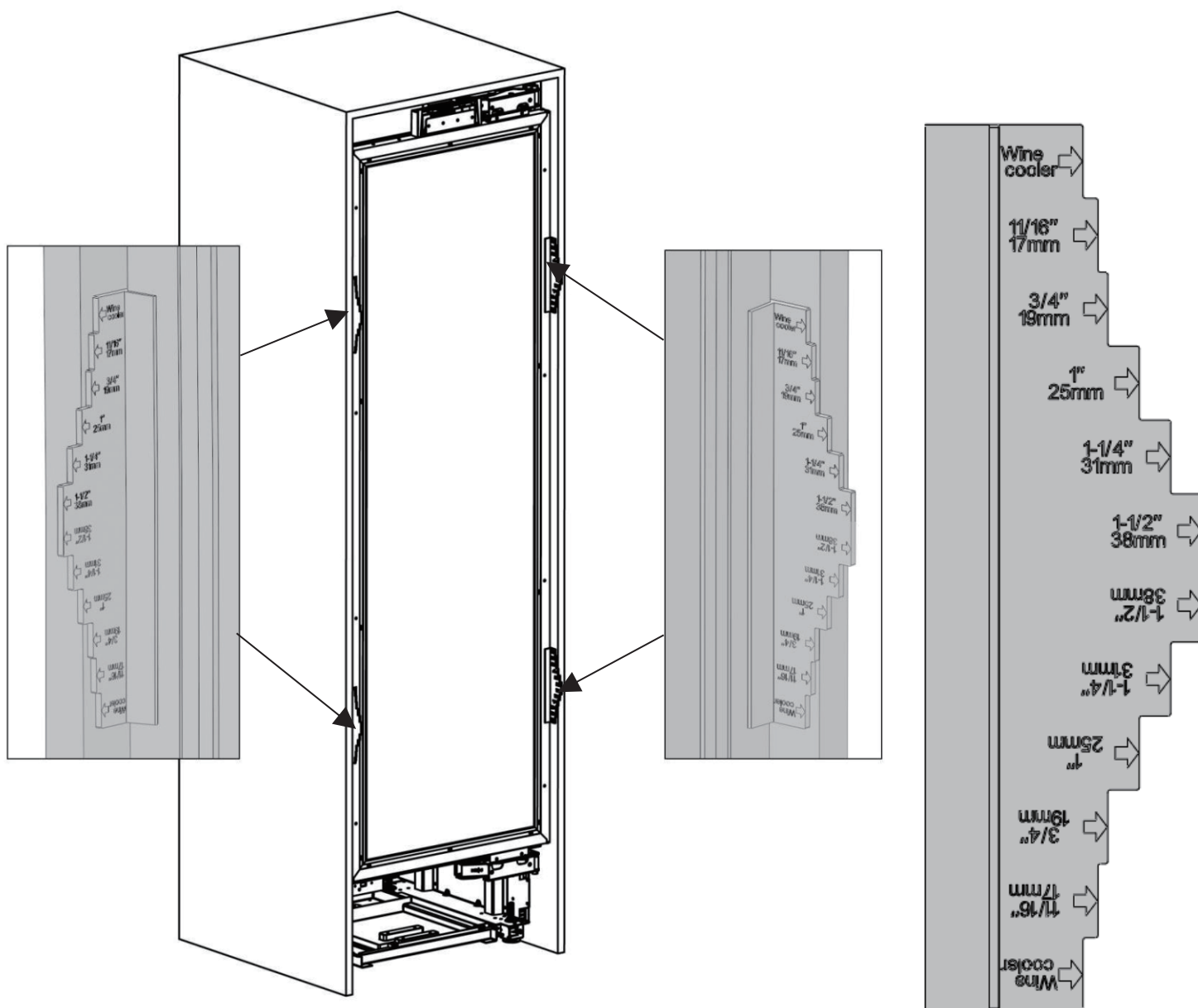
- After adjusting the adjustable feet, check the flatness in both width and depth directions.



# Installation Instructions

## Adjusting the refrigerator according to the cabin flange

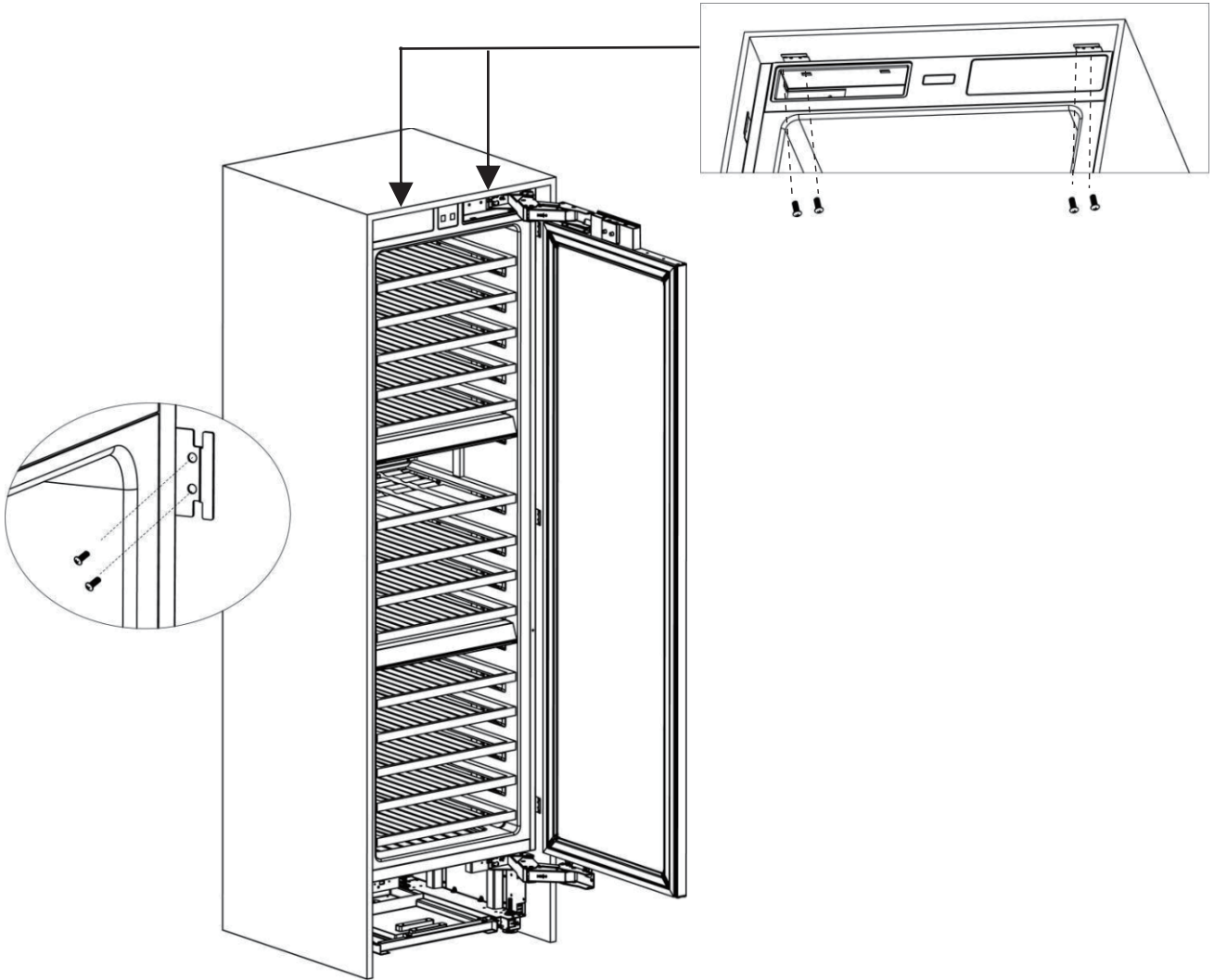
- Position of the level adjustment must be adjusted according to the thickness of the door.



# Installation Instructions

## Screwing the side and upper brackets

- Attach the bracket furniture to the furniture with 16 screws(ST4x14).



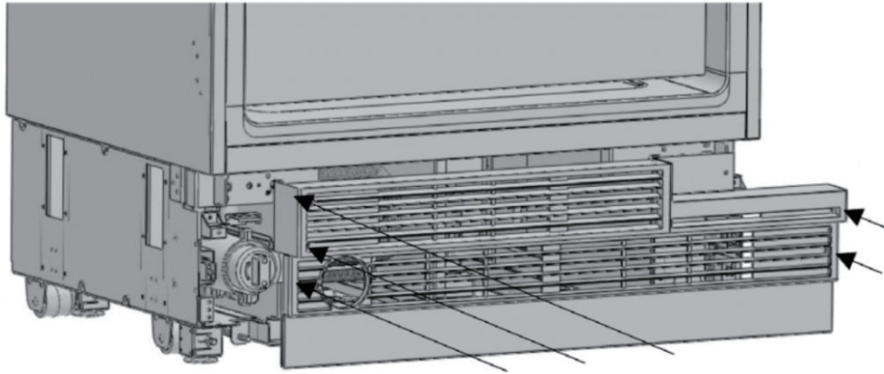


# Installation Instructions

---

## Attaching the vent hole assembly

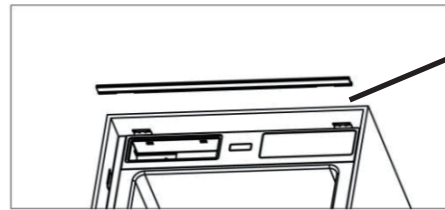
- Use 5 screws to attach the vent hole assembly.



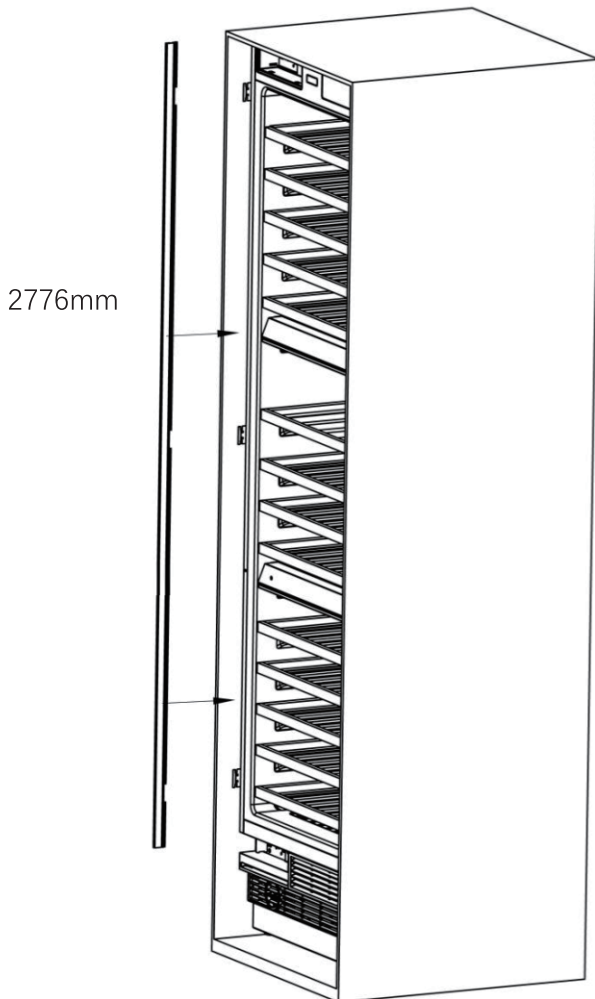
# Installation Instructions

## Attaching the decorative parts

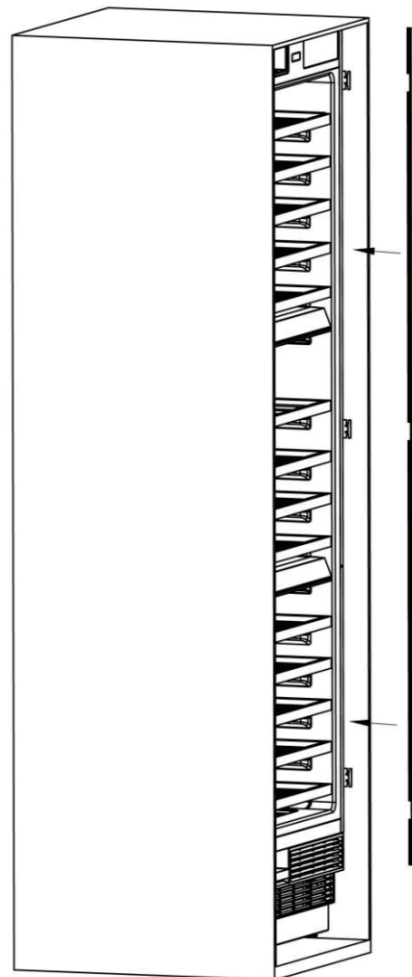
- Attach the side closing parts onto the right/left/upper connection brackets.



XRF24CWC: 609mm



2776mm



2766mm

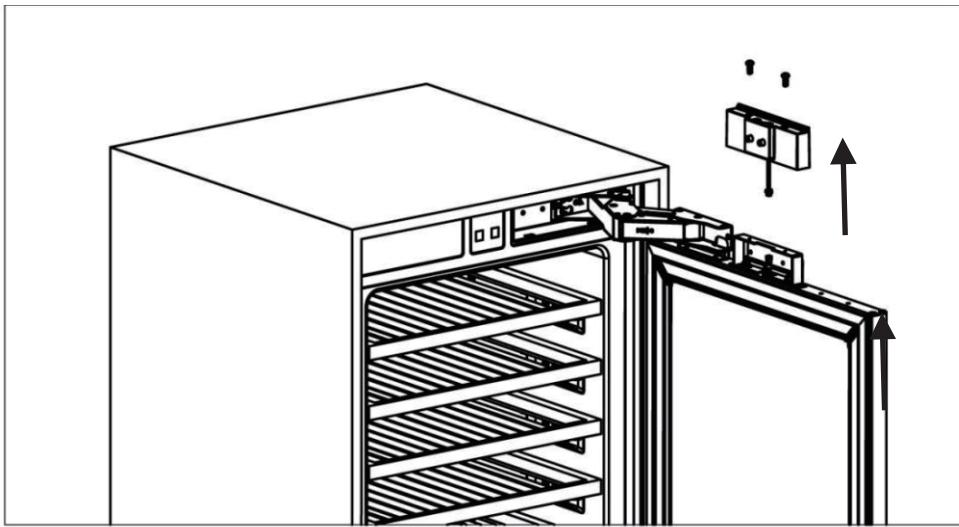
# Installation Instructions

## Removing the panel-adjustment mechanisms on the refrigerator

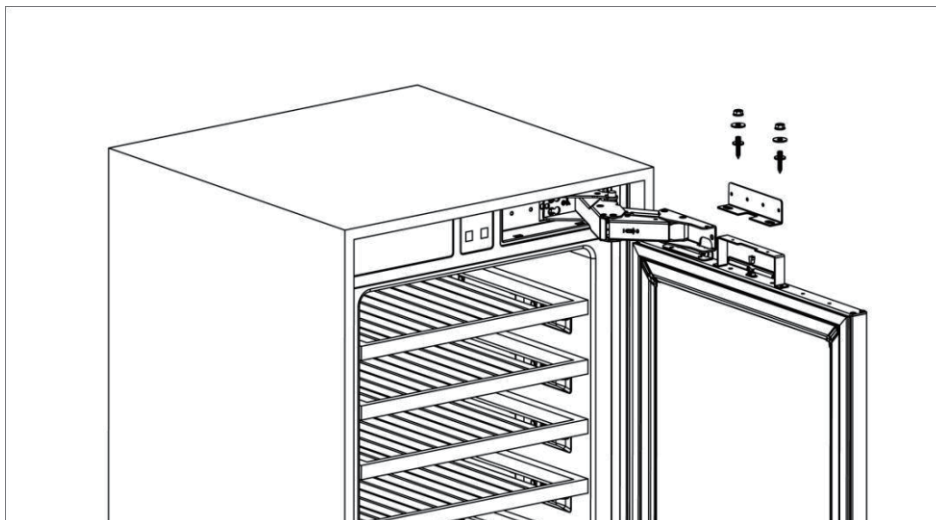
- Remove screws to take out the top hanger bracket cover.



There is a magnet on the top hanger bracket cover. This is a functional part for the operation of the product. It should not be confused with the low hanger bracket cover.



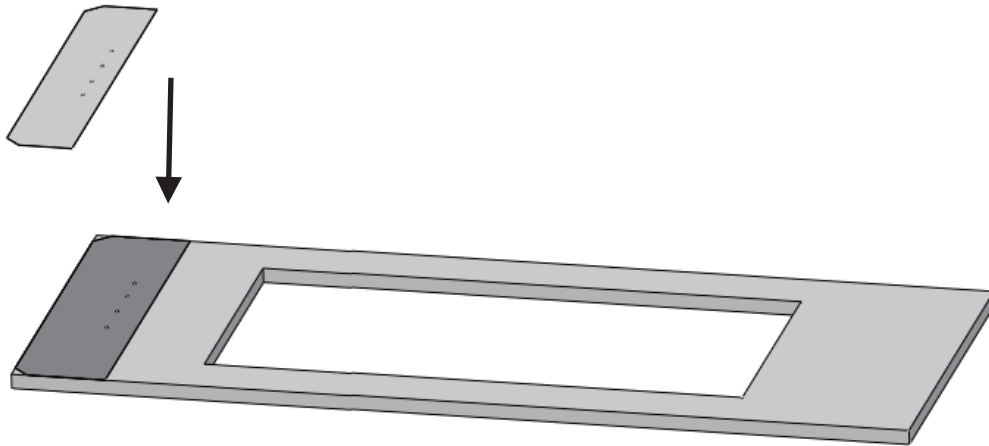
- Remove the upper and lower adjusting mechanism assemblies from the door.



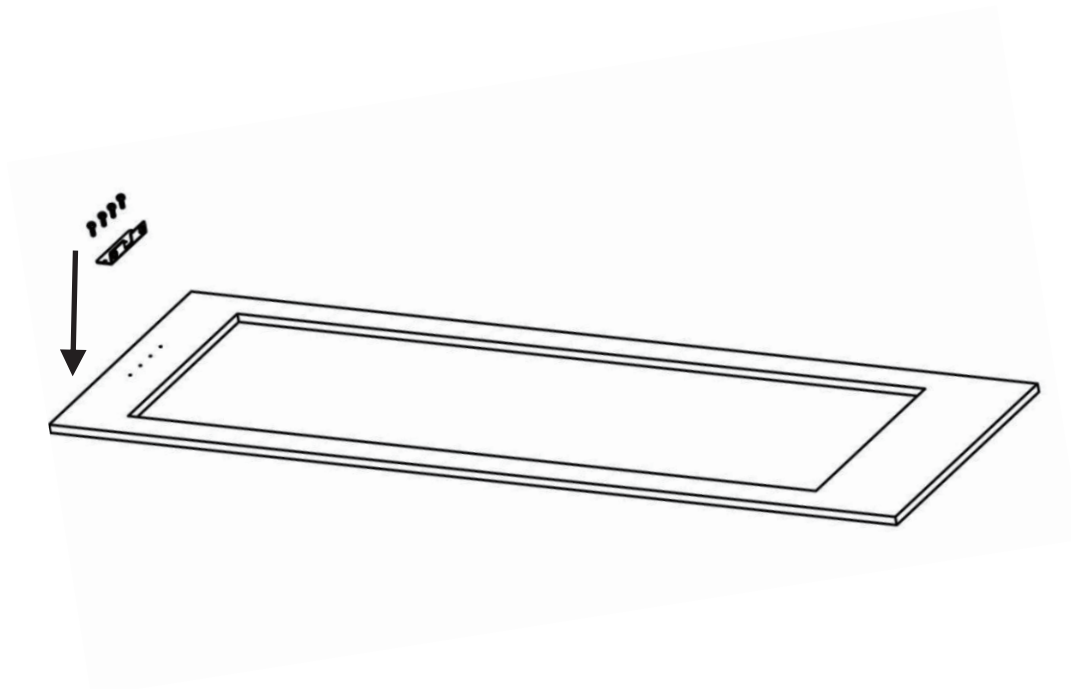
# Installation Instructions

## Preparing furniture door

- When marking, you can use the "Furniture door preparation template" provided with the product.



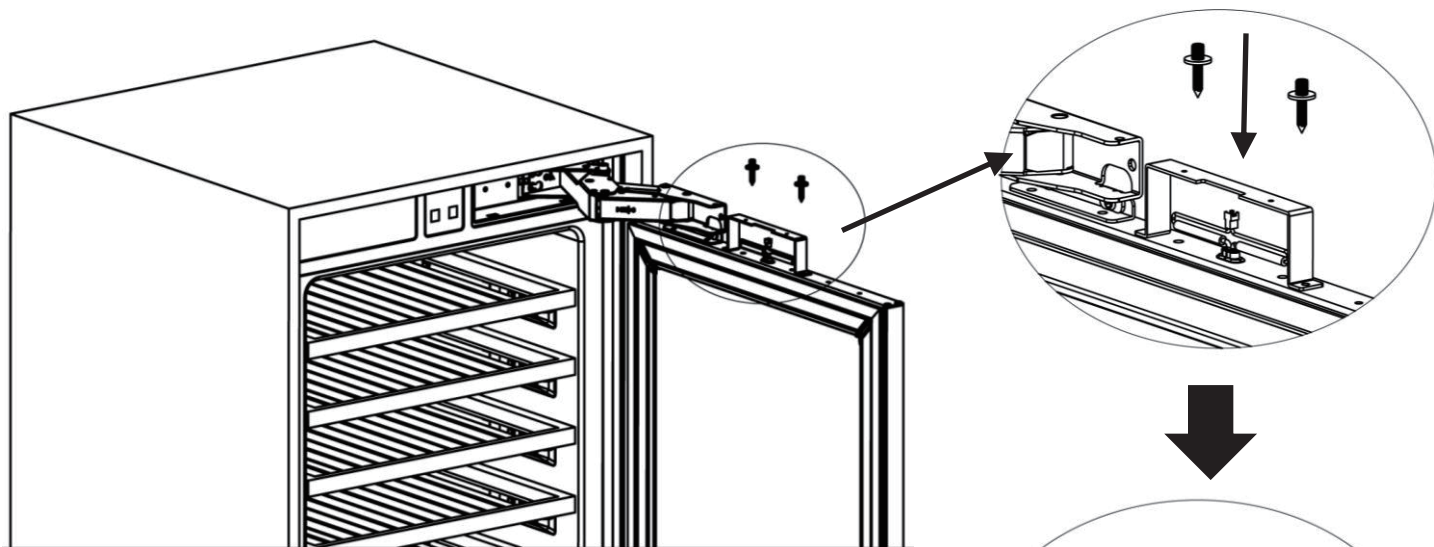
- Install cradles using the chipboard screws(ST4x14).



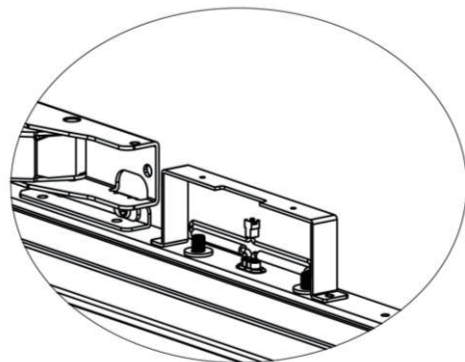
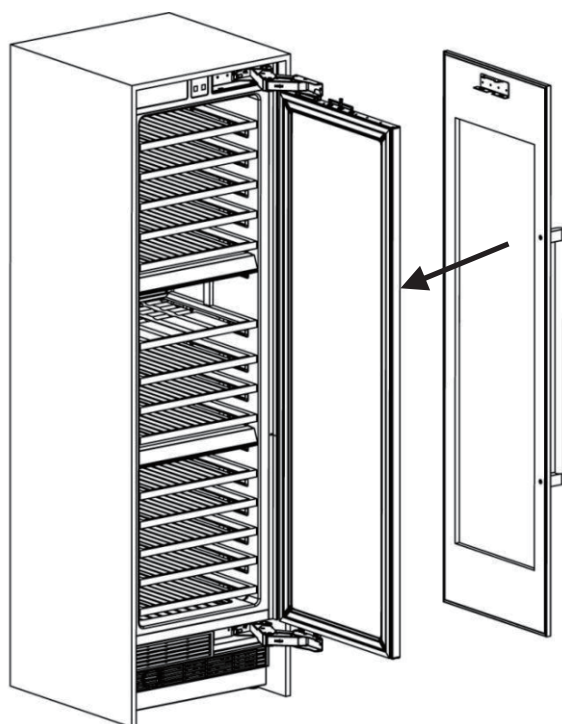
# Installation Instructions

## Installing the furniture door

- Use 2 screws to fix.

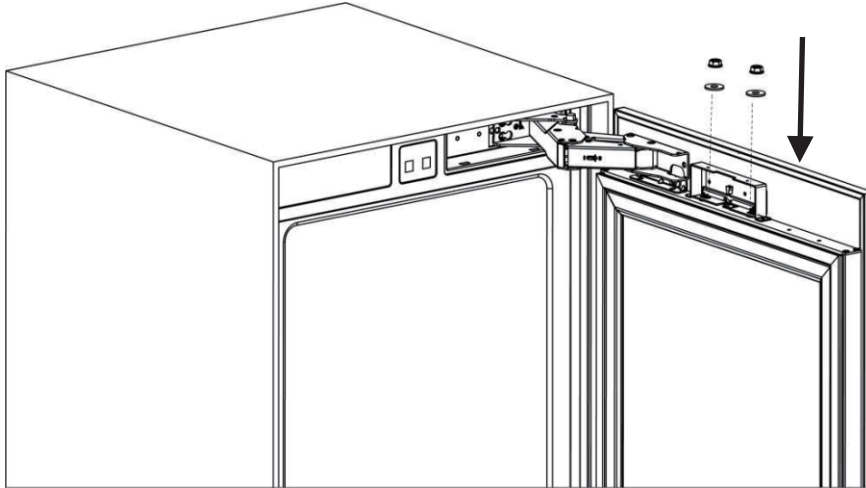


- Attach the furniture door to the door

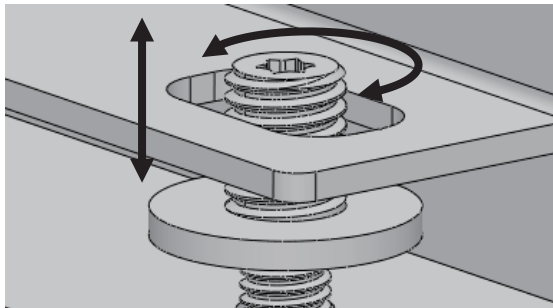


# Installation Instructions

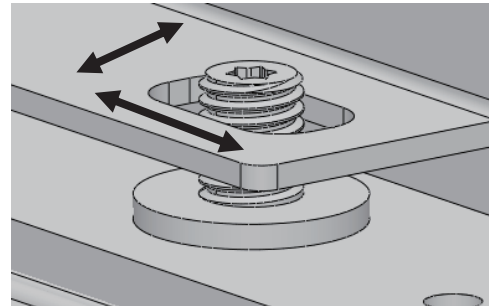
- You should adjust 3D direction using by two fixing bolt to perform fine adjustments.



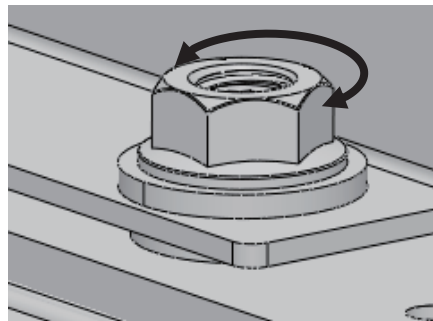
- How to align the furniture door upper part with bolts.



Up & down



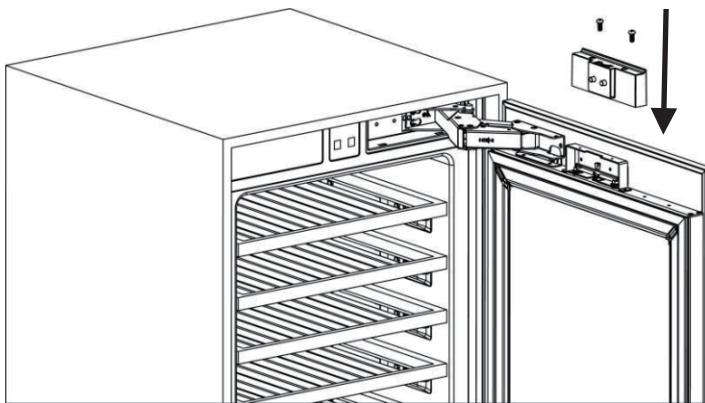
Front & back  
Left & right



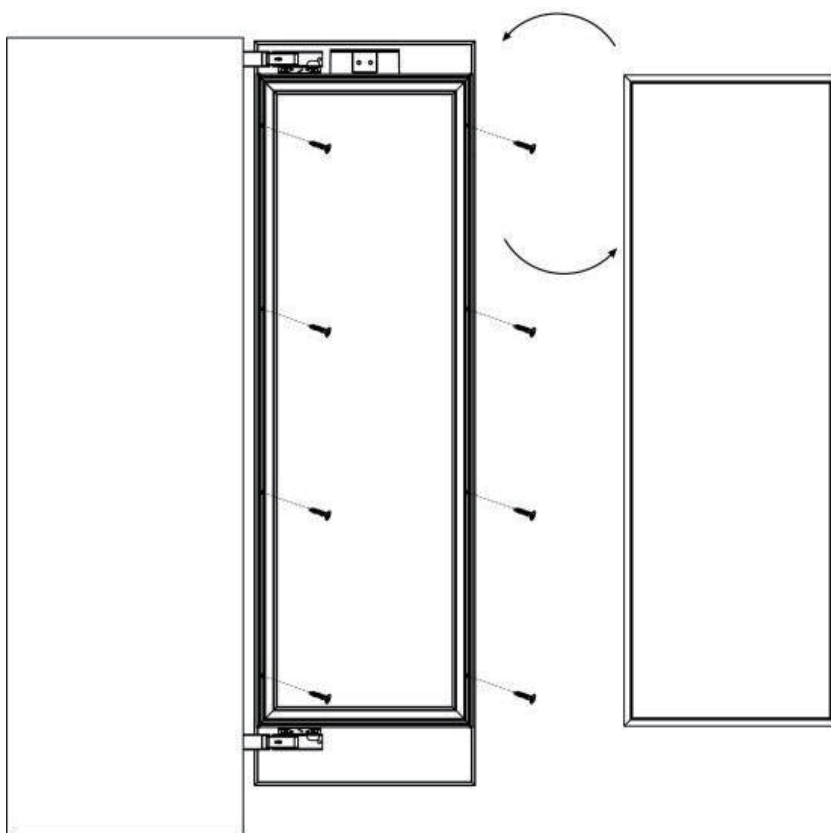
Fixing furniture door completely

# Installation Instructions

- Attach and screw the upper decoration cover.



- The left and right are secured by installing screws(ST4x35).



# Installation Instructions

## Installing the limit pins

- limit pin should be inserted to upper hinge.

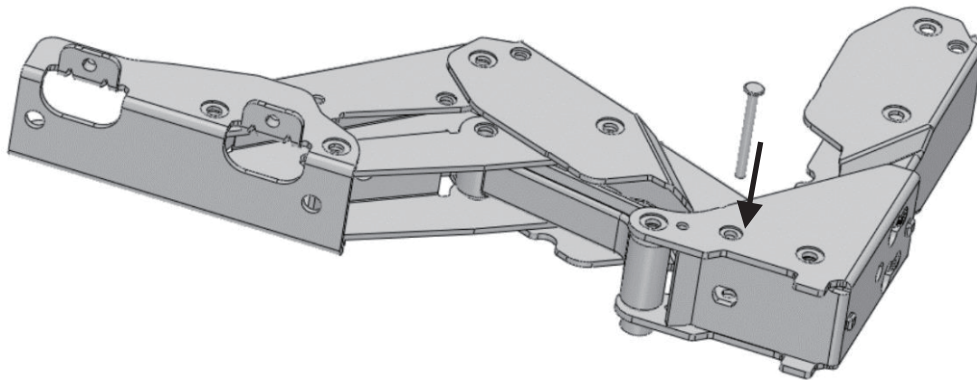


The door of your refrigerator can open by 115° maximum.

If the door thickness is more than 1 ½" (38 mm), the door should not open more than 90°.

You must use 90° limit pin on the hinge.

Pin must be fully seated in the bracket or the door will not close properly.

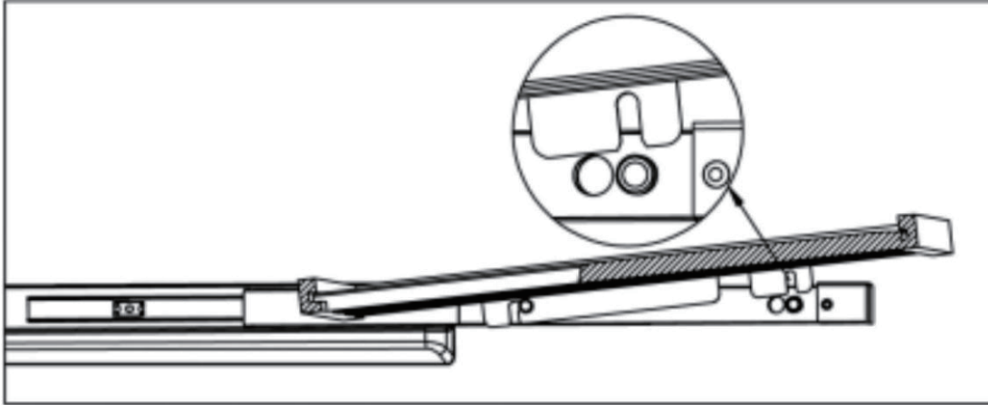




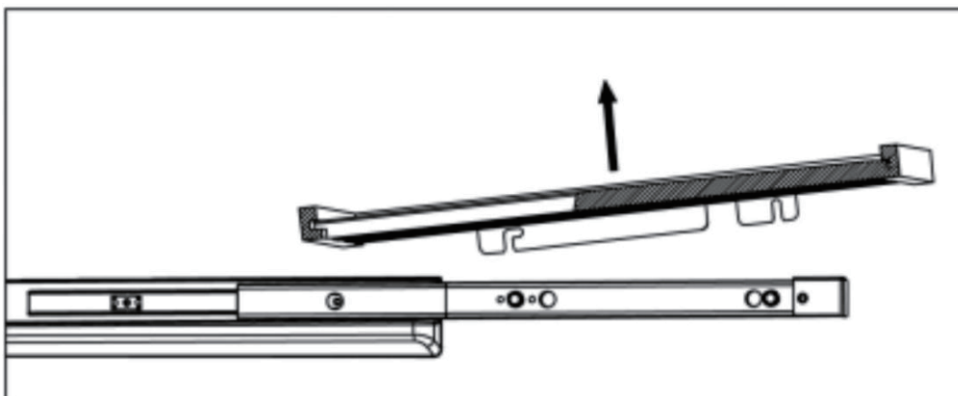
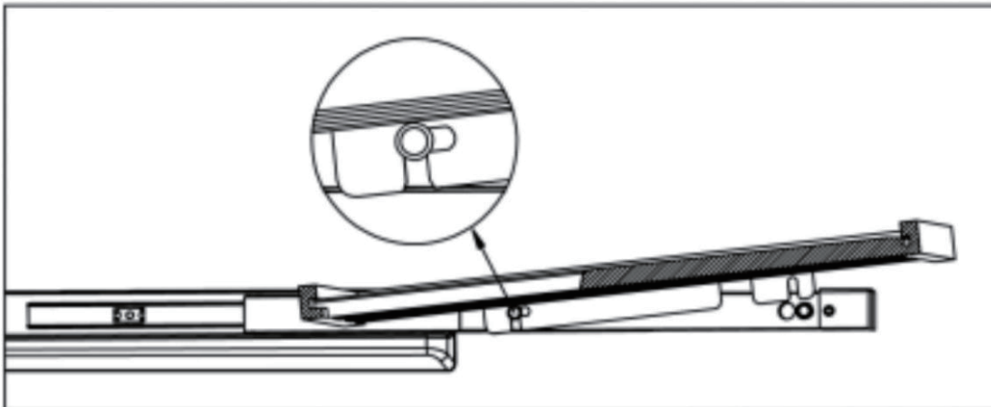
# Installation Instructions

## Removing the Wooden Shelves

1. Pull the wine rack. Wine rack card slot out of the guide rail fixed column.



2. Pull the wine rack forward. The guide retaining post is stuck in the position indicated in the figure that the retaining.



3. Pull the wine rack to remove.

# WELCOME TO THE CLUB

You chose THOR Kitchen to enhance your culinary journey and we're stoked to have you in the club. Think of it as a secret society of really savvy people, such as yourself, choosing professional power and performance at an affordable price.



Register your product by following the steps below.

## WARRANTY REGISTRATION



01 Scan the QR code or visit  
[thorkitchen.com/warranty](https://thorkitchen.com/warranty)



02 Input your product info  
and select register



03 You're done.  
Let's get cook in'.

### WARRANTY



### NEED PARTS?

