

XS601TWT6

60 cm, DUAL COMPARTMENT WINE CELLAR, 1T Model

BUILT-IN

X-PRO® SERIE

Fhiaba



FEATURES

- Made in Italy
- TriMode™: Total Flexibility, make the bottom drawer a refrigerator, fresh food space, or freezer with the control menu
- ProVent™: Uniform air circulation maintains consistent temperatures throughout the appliance resulting in better food preservation
- OptiView™: OptiView LED lights
- ProVent™: Uniform air circulation maintains consistent temperatures throughout the appliance resulting in better food preservation
- Humidity Control: Choose between high, medium and low humidity – particularly important for wine storage
- Total No Frost: Temperature control helping mitigate cooling loss when opening the refrigerator door. No more frost build-up that requires defrosting
- EquiLance™: Achieve a seamless built-in look with Fhiaba's innovative door hinge

GENERAL PROPERTIES

Equilance Hinge	YES
Soft-Closing Glides	YES
Low Vibration	YES
OptiView (Led Light Spots)	YES
Shelves	9
Type Of Shelves	WOOD
Door Bins	/
Fridge Interior Drawers	/
Freezer Drawers	1
Evenlift Shelves	NO
Full Extension Shelves 90° Door Opening	YES
Full Extension Drawers 90° Door Opening	NO
Defrost Process	AUTOMATIC
Ice Maker With Water Filter	NO
Door Open Alarms	YES
Shopping Fridge	NO
Shopping Freezer	NO
Power Failure Alert	YES
Water Dispenser With Water Filter	NO

XS601TWT6

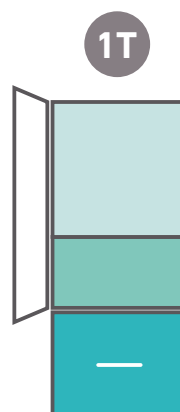
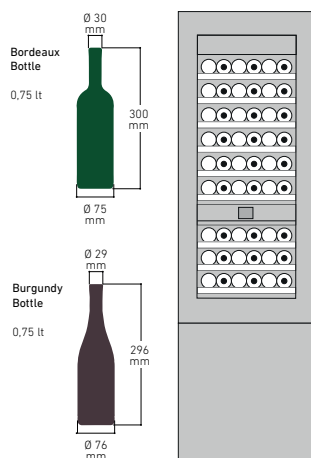
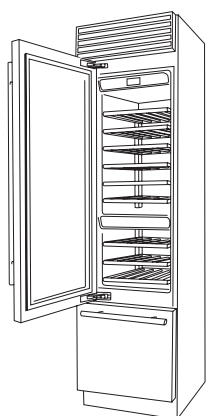
60 cm, DUAL COMPARTMENT WINE CELLAR, 1T Model

BUILT-IN

X-PRO® SERIE

PRODUCT DETAIL

Fhiaba



1D | 1BD | 3M

D = door
BD = drawer
M = separate microclimates

CAPACITY		DIMENSIONS & WEIGHT	
Volume Compartment 1 (L)	147	Height of the product (closed weels) (mm)	2120
Volume Compartment 2 (L)	76	Adjustable feet height (mm)	25
Volume Compartment 3 (L)	77	Width of the product (mm)	599
Total Net Volume (L)	300	Depth of Product without handle (mm)	635
Total Gross Volume (L)	315	Wall cavity height (mm)	2134
Compartment 1 / Upper wine cellar capacity (bottles)	36	Wall cavity width (mm)	600
Compartment 2 / Lower wine cellar capacity (bottles)	18	Wall cavity depth (mm)	650
Compartment 3 / Bottom wine cellar capacity (bottles)		Net Weight (kg)	162
		Gross Weight (kg)	182
TECHNICAL DETAILS		TEMPERATURE RANGES	
Total absorbed current (A)	2	Climatic compartments	3
Voltage (V)	220-240V	Compartment 1 / Upper temperature (°C)	from 4 to 18
Frequency (Hz)	50/60 Hz	Compartment 2 / Middle temperature (°C)	from 4 to 18
Power Cord Length (mm)	2	Low temp zone	NO
Plug Type	Tipo F (Schuko) 16A IEC13 10A	Compartment 3 / Low temperature (°C)	from 4 to 18
Climatic class	SN/T	Dual zone	NO
Noise level (dB)	41	ACCESSORIES	
Refrigerant (gas)	R600a	• Stainless steel sides panels	• Set of knives
Water connection / female attachment	/	• Glass door	• Bottle trap
		• Joining kit	• Sigar drawer
		• X-Pro top grille kit	• Beverage drawer
		• Extra length anti-tipping kit	• Beverage shelf
		• Anti-condensation	• Beverage removable shelf
		• Cleaning kit	• Chocolate kit
		• Active carbon filter	
		• FLD - Fhiaba Link Device	
		• Painting	
		• 90° Door stop	
		• Wine kit	
		• Cheese drawer	
EFFICIENCY			
New Energy Label class	E		
Energy consumption (kWh/year)	169		

XS601TWT6

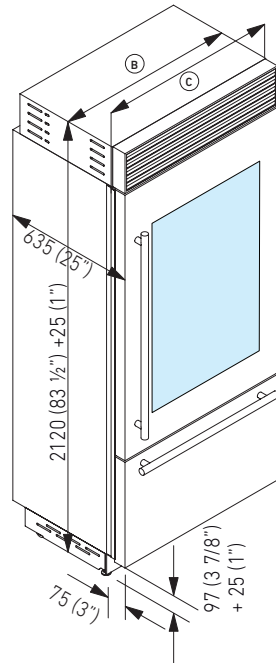
60 cm, DUAL COMPARTMENT WINE CELLAR, 1T Model

BUILT-IN

X-PRO® SERIE

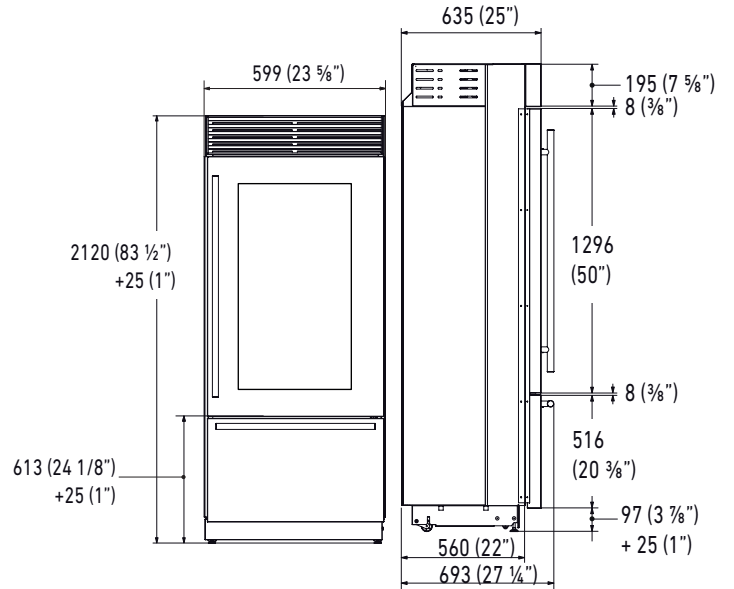
PRODUCT SPECIFICATIONS AND DIMENSIONS

Fhiaba



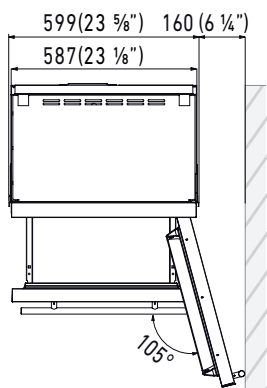
FRONT VIEW

SIDE VIEW

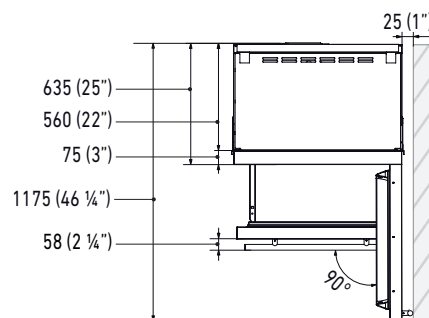


TECHNICAL DATA	
Niche Width A (mm)	600
Unit Width B (mm)	587
Unit Width with lateral frames C (mm)	599

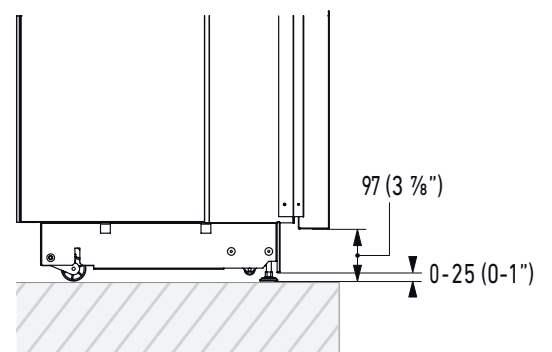
TOP VIEW,
HINGE 105°



TOP VIEW,
HINGE 90°



PLINTH SIZE



i For installation specifications, please consult with Fhiaba. For optimum installation, we recommend using the actual product as the best guide.

i Based on the adjustment of the feet and the height of the panel from the floor, the customer defines the perforated plinth to be installed on the equipment.

XS601TWT6

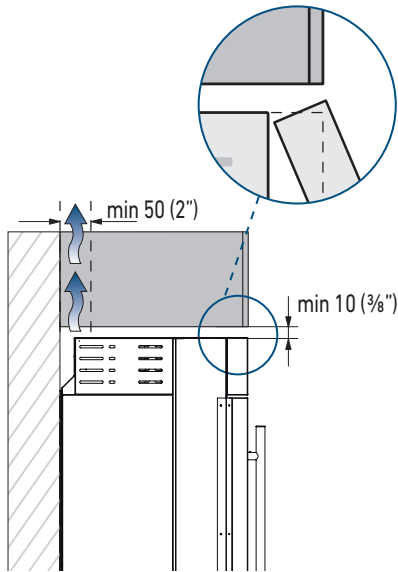
60 cm, DUAL COMPARTMENT WINE CELLAR, 1T Model

BUILT-IN

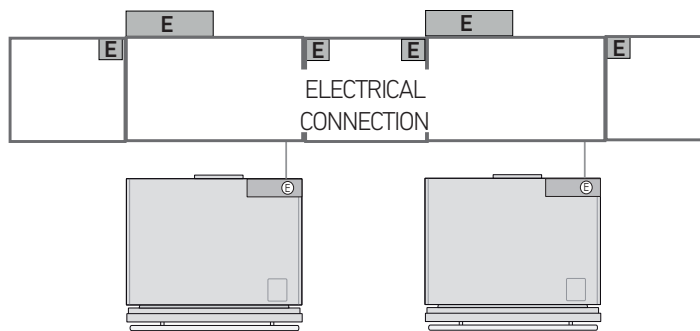
X-PRO® SERIE

PRODUCT SPECIFICATIONS AND DIMENSIONS

Fhiaba

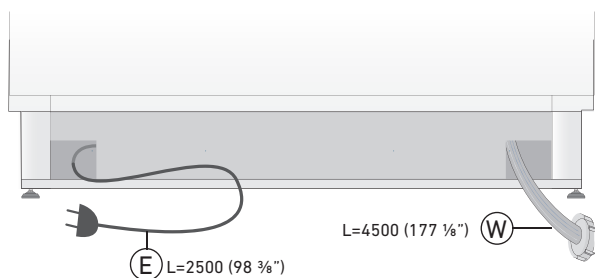
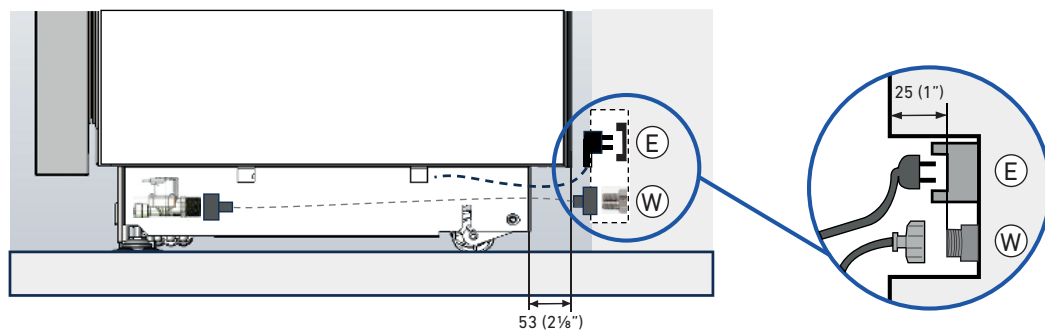


Electrical Connection



Electrical and water connections (if applicable) should be reachable without having to uninstall the appliance. If the connections must be made directly behind the appliance then it is recommended to recess those connections.

IMPORTANT: do not put the water shut-off valve behind the appliance where it will be inaccessible.



For installation specifications, please consult with Fhiaba. For optimum installation, we recommend using the actual product as the best guide.



www.fhiaba.com
4/4