

# XS900HWT6

90 cm, DUAL COMPARTMENT WINE CELLAR, 0H Model

BUILT-IN

X-PRO® SERIE

*Fhiaba*



## FEATURES

- Made in Italy
- TriMode™: Total Flexibility, make the bottom drawer a refrigerator, fresh food space, or freezer with the control menu
- ProVent™: Uniform air circulation maintains consistent temperatures throughout the appliance resulting in better food preservation
- OptiView™: OptiView LED lights
- ProVent™: Uniform air circulation maintains consistent temperatures throughout the appliance resulting in better food preservation
- Humidity Control: Choose between high, medium and low humidity – particularly important for wine storage
- Total No Frost: Temperature control helping mitigate cooling loss when opening the refrigerator door. No more frost build-up that requires defrosting
- EquiLance™: Achieve a seamless built-in look with Fhiaba's innovative door hinge

## GENERAL PROPERTIES

Equilance Hinge	YES
Soft-Closing Glides	YES
Low Vibration	YES
OptiView (Led Light Spots)	YES
Shelves	9
Type Of Shelves	WOOD
Door Bins	/
Fridge Interior Drawers	/
Freezer Drawers	2
Evenlift Shelves	NO
Full Extension Shelves 90° Door Opening	YES
Full Extension Drawers 90° Door Opening	NO
Defrost Process	AUTOMATIC
Ice Maker With Water Filter	NO
Door Open Alarms	YES
Shopping Fridge	NO
Shopping Freezer	YES
Power Failure Alert	YES
Water Dispenser With Water Filter	NO

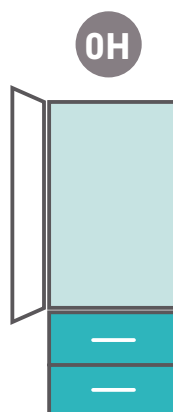
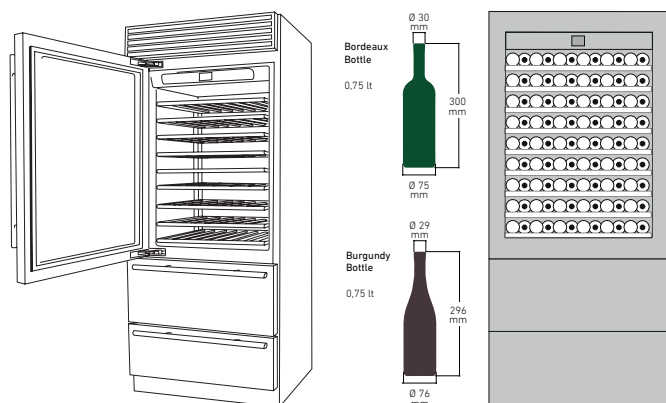
# XS900HWT6

90 cm, DUAL COMPARTMENT WINE CELLAR, 0H Model

BUILT-IN

X-PRO® SERIE

## PRODUCT DETAIL



1D | 2BD | 2M

**D** = door  
**BD** = drawer  
**M** = separate microclimates

CAPACITY	
Volume Compartment 1 (L)	357
Volume Compartment 2 (L)	/
Volume Compartment 3 (L)	167
Total Net Volume (L)	524
Total Gross Volume (L)	542
Compartment 1 / Upper wine cellar capacity (bottles)	108
Compartment 2 / Lower wine cellar capacity (bottles)	
Compartment 3 / Bottom wine cellar capacity (bottles)	

TECHNICAL DETAILS	
Total absorbed current (A)	2
Voltage (V)	220-240V
Frequency (Hz)	50/60 Hz
Power Cord Length (mm)	2
Plug Type	Tipo F (Schuko) 16A IEC13 10A
Climatic class	SN/T
Noise level (dB)	41
Refrigerant (gas)	R600a
Water connection / female attachment	/

EFFICIENCY	
New Energy Label class	G
Energy consumption (kWh/year)	197

DIMENSIONS & WEIGHT	
Height of the product (closed weels) (mm)	2120
Adjustable feet height (mm)	25
Width of the product (mm)	899
Depth of Product without handle (mm)	635
Wall cavity height (mm)	2134
Wall cavity width (mm)	900
Wall cavity depth (mm)	650
Net Weight (kg)	212
Gross Weight (kg)	233

TEMPERATURE RANGES	
Climatic compartments	2
Compartment 1 / Upper temperature (°C)	from 4 to 18
Compartment 2 / Middle temperature (°C)	
Low temp zone	NO
Compartment 3 / Low temperature (°C)	from 4 to 18
Dual zone	YES

ACCESSORIES	
<ul style="list-style-type: none"> <li>Stainless steel sides panels</li> <li>Glass door</li> <li>Joining kit</li> <li>X-Pro top grille kit</li> <li>Extra length anti-tipping kit</li> <li>Anti-condensation</li> <li>Cleaning kit</li> <li>Active carbon filter</li> <li>FLD - Fhiaba Link Device</li> <li>Painting</li> <li>90° Door stop</li> <li>Wine kit</li> <li>Cheese drawer</li> </ul>	<ul style="list-style-type: none"> <li>Set of knives</li> <li>Prosciutteria kit</li> <li>Bottle trap</li> <li>Sigar drawer</li> <li>Beverage drawer</li> <li>Beverage shelf</li> <li>Beverage removable shelf</li> </ul>

# XS900HWT6

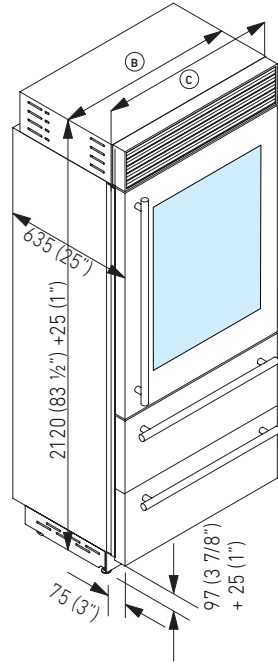
90 cm, DUAL COMPARTMENT WINE CELLAR, 0H Model

BUILT-IN

X-PRO® SERIE

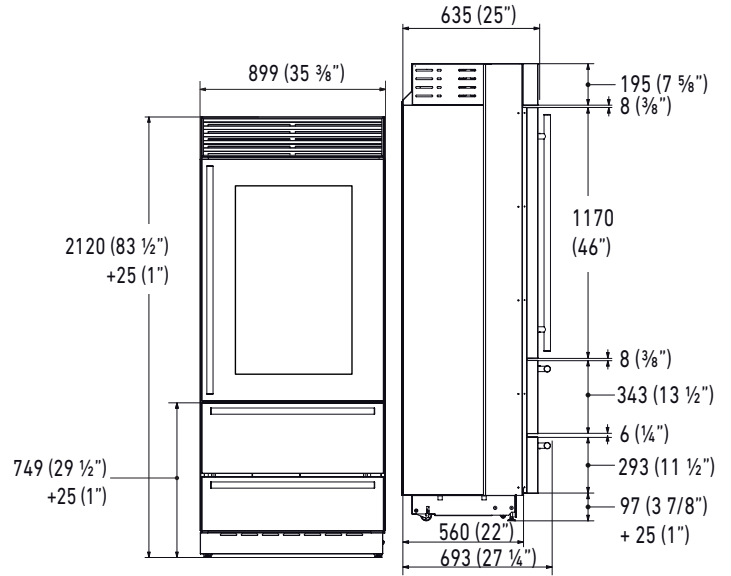
## PRODUCT SPECIFICATIONS AND DIMENSIONS

**Fhiaba**



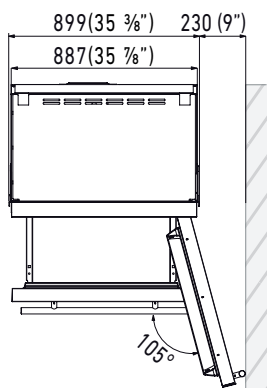
FRONT VIEW

SIDE VIEW

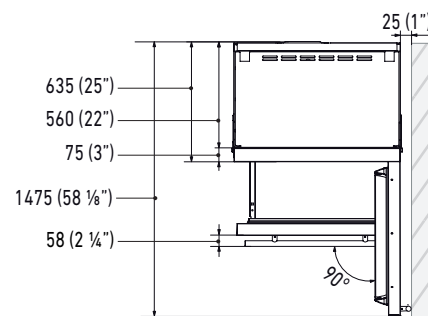


TECHNICAL DATA	
Niche Width <b>A</b> (mm)	900
Unit Width <b>B</b> (mm)	887
Unit Width with lateral frames <b>C</b> (mm)	899

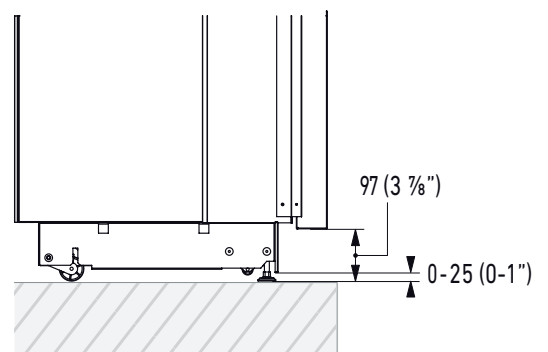
TOP VIEW, HINGE 105°



TOP VIEW, HINGE 90°



PLINTH SIZE



**i** For installation specifications, please consult with Fhiaba. For optimum installation, we recommend using the actual product as the best guide.

**i** Based on the adjustment of the feet and the height of the panel from the floor, the customer defines the perforated plinth to be installed on the equipment.

# XS900HWT6

90 cm, DUAL COMPARTMENT WINE CELLAR, 0H Model

BUILT-IN

X-PRO® SERIE

## PRODUCT SPECIFICATIONS AND DIMENSIONS

*Fhiaba*

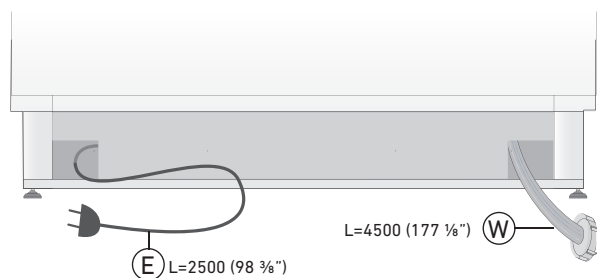
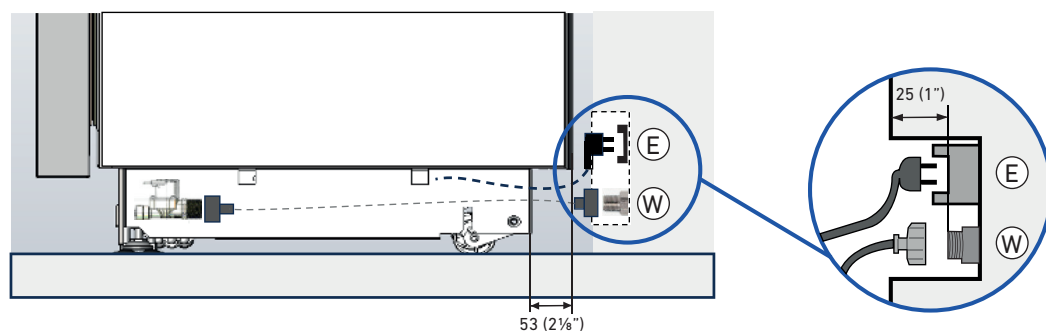


### Electrical Connection



Electrical and water connections (if applicable) should be reachable without having to uninstall the appliance. If the connections must be made directly behind the appliance then it is recommended to recess those connections.

**IMPORTANT:** do not put the water shut-off valve behind the appliance where it will be inaccessible.



For installation specifications, please consult with Fhiaba. For optimum installation, we recommend using the actual product as the best guide.



[www.fhiaba.com](http://www.fhiaba.com)

4/4