

# MONOGRAM 30" BUILT-IN FRENCH-DOOR DOUBLE OVEN ZTDX1FPSZSS



## DIGITAL RECIPE BOX

Elevate your culinary creativity with the digital recipe box, allowing you to save your favorite recipes directly to the oven screen or your smartphone app. Store recipes from popular food websites or upload photos of your handwritten recipes for effortless access and organization.

## BRILLIANT 7" LCD DISPLAY

Easily adjust oven settings on a vibrant, customizable display that allows you to upload personal photos, check weather updates, manage multiple timers, maintain a shared shopping list and sync family calendars.

## INTEGRATED COOKING CONTENT

Discover recipe inspiration and culinary tips from trusted culinary partners like King Arthur Baking, with guided recipes and cooking tutorials that help you build culinary confidence and make the most of your oven.

## VOICE CONTROL

Benefit from the convenience of voice control through Alexa or Google Home. Once programmed, you can use your voice to preheat the oven and more, all without raising a finger.

## SLOW ROAST MODE

Create flavorful meals with a new Slow Cook mode that uses low, steady heat to gently cook soups, stews and braised dishes right in your oven.

## PRECISION COOKING MODES

Master new recipes and perfectly execute favorite dishes from prime rib to salmon using this ultra-smart system that automatically tracks cooking progress, modifies temperatures and adjusts cooking times.

## NO PREHEAT AIR FRY

A must-have for health-conscious cooks, the No-Preheat Air Fry mode crisps food to crunchy perfection, without using oils or butter.

## WIFI POWERED BY SMARTHQ

Enhance your Monogram wall oven and simplify daily life with seamless remote access, real-time alerts, and over-the-air updates designed to keep performance at its peak.

## EXCLUSIVE NICKEL OVEN RACKS

Glide in and out smoothly on stainless steel ball bearings.

## TWIN CONVECTION WITH DIRECT AIR

Achieve beautifully cooked and delicious meals every time with this expertly designed, third heating element and fan combination.

## TEN PASS BAKE AND BROIL ELEMENTS

Evenly bakes and browns dishes of all types and sizes

## OPTIMIZED CLEANING

Self-clean and Steam clean options offer flexibility for thorough oven cleaning

## FRENCH DOOR DESIGN

Inspired by commercial kitchen designs, the precision engineered chain-drive mechanism allows for one-hand opening of both doors at the same time.



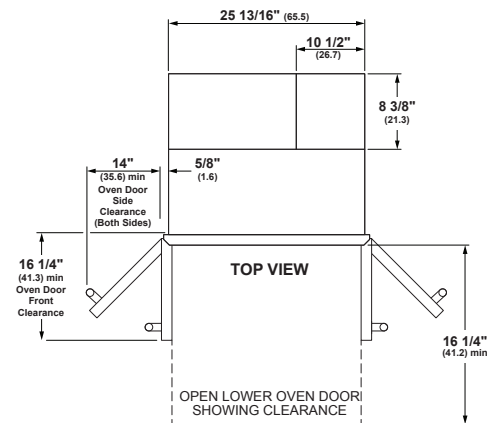
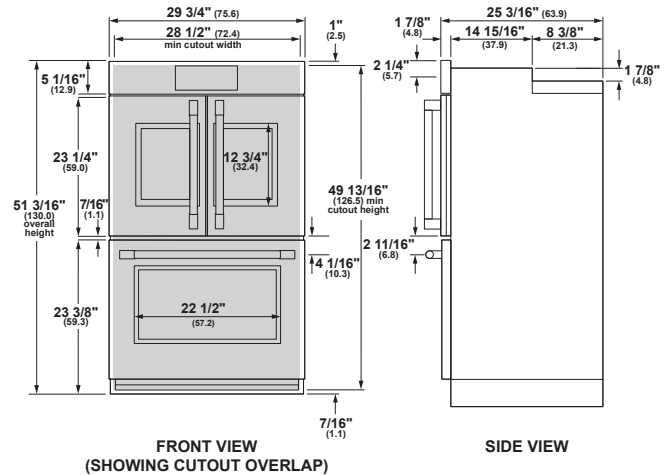
### SPECIFICATIONS

Overall Width	29 3/4" (75.6 cm)
Overall Height	51 3/16" (130.0 cm)
Overall Depth	27 13/16" (70.6 cm) Upper oven
Including Handle	27 1/2" (69.9 cm) Lower oven
Oven Door Clearance	16 1/4" (41.3 cm) Upper oven 20 9/16" (52.3 cm) Upper oven
Overall Oven Interior Capacity	10.0 cu. ft. (283.2 liters)
Oven Interior Dimensions (W x H x D)	25" x 17 3/8" x 20 1/4" (63.5 cm x 44.1 cm x 51.4 cm)
Minimum Cabinet Width	30" (76.2 cm)
Minimum Cabinet Depth	24" (61.0 cm)
Minimum Base Support	400 lbs (181 kg)
Cutout Width	28 1/2" (72.4 cm) Min 28 5/8" (72.7 cm) Max
Cutout Height	49 13/16" (126.5 cm) Min 51 15/16" (131.9 cm) Max
Cutout Depth	23 1/2" (59.7 cm) Min
Volts/Hertz/Amps	240/208 V AC, 60 Hz, 40A
Conduit Length	48" (72" available special order: WB18T10398)
Electrical Rating	6.8 kW at 208V 9.0 kW at 240V
Shipping Weight	390 lbs (178 kg)

### ATTENTION ELECTRICIAN:

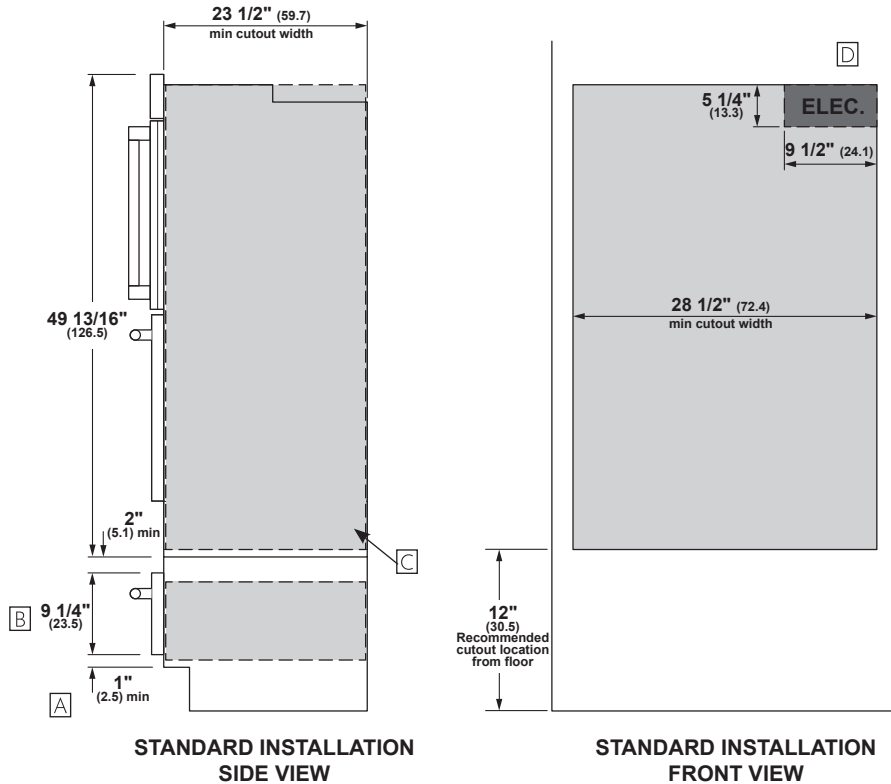
A 240/208V, 60Hz, 40 Amp circuit is required. An individual properly grounded branch circuit or circuit breaker is required. Hardware junction box is required for built-in product.

### OVERALL DIMENSIONS



Dimensions in parentheses are in centimeters unless otherwise noted. Actual product dimensions may vary due to manufacturing tolerances.

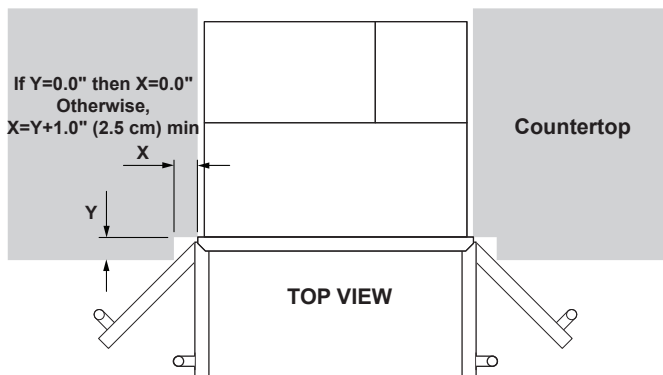
WALL INSTALLATION



HELPFUL TIPS

- Ⓐ Based on user height of 5'6" to 5'10"
- Ⓑ Dimensions per Warming Drawer requirements.
- Ⓒ Platform must be able to support 400 lbs. (181 kg)
- Ⓓ Junction box location (may also be located in adjacent cabinet)

INSTALLATION TO ADJACENT COUNTERTOP



For more details, refer to the installation instructions for this product on Monogram.com. Dimensions in parentheses are in centimeters unless otherwise noted.